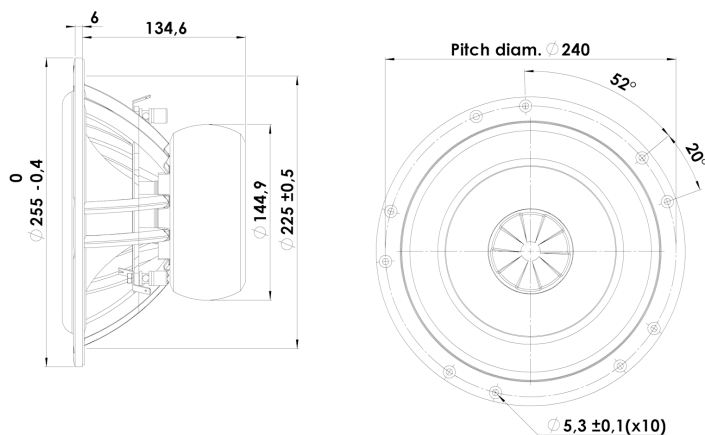


23 cm Subwoofer

23W/4557T02



T-S Parameters:

Resonance frequency [fs]	21 Hz
Mechanical Q factor [Qms]	4.80
Electrical Q factor [Qes]	0.52
Total Q factor [Qts]	0.47
Force factor [Bl]	9.3 Tm
Mechanical resistance [Rms]	2.71 kg/s
Moving mass [Mms]	101 g
Compliance [Cms]	0.60 mm/N
Effective diaph. diameter [D]	172 mm
Effective piston area [Sd]	232 cm ²
Equivalent volume [Vas]	45.0 l
Sensitivity (2,83V/1m)	82 dB

Mechanical Data:

Voice coil diameter	50 mm
Voice coil height	34 mm
Voice coil layers	2
Gap height	8 mm
Linear excursion	\pm 13 mm
Max mech. excursion	\pm 20 mm
Unit weight	4.6 kg
Cabinet Displacement Volume	1.36 l

Electrical Data:

Nominal impedance [Zn]	4 Ω
Minimum impedance [Zmin]	4.6 Ω
Maximum impedance [Zo]	35.3 Ω
DC resistance [Re]	3.45 Ω
Voice coil inductance [Le]	0.45 mH

Power Handling:

100h RMS noise test (IEC 18.4)	225 W
Long-term max power (IEC 18.2)	350 W
X-over:	None

Key Features:

- Patented Symmetrical Drive Motor Design
- Black Anodized Rigid Alu Cone
- Long Throw Surround
- Die cast Alu Chassis vented below spider
- Ferrite Magnet System w. Rubber Boot
- Gold Binding Post Terminals

Recommendations (please see Tech Note):

- Operating frequency range: fs-1000 Hz
- Cabinet volume - closed box: Vbox=49 ltr, f(-3dB)=29 Hz
- Cabinet volume - vented box: Vbox=100 ltr, fb=17 Hz, f(-3dB)=15 Hz

