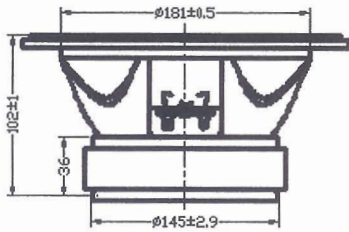
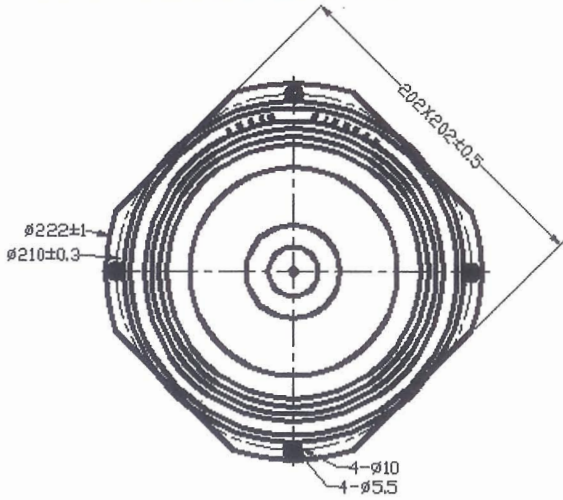


FULL RANGE SPEAKER UNIT

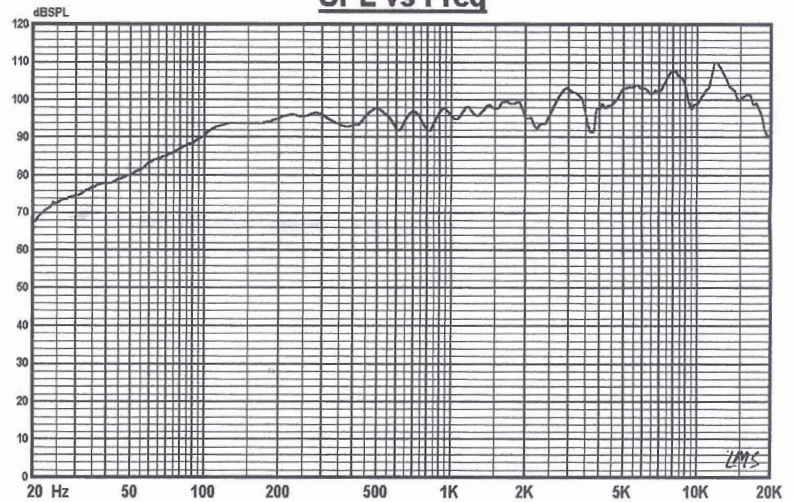
Super 8" Cast Frame



Specifications & Thiele/Small Parameters

Impedance	: 8 Ohm
Minimum Frequency Response	: 42 Hz
Reproduction Frequency Response	: Fo~18K
S.P.L.	: 95.8dB/W(m)
Rated Input	: 30 W
Music Power	: 50 W
Equivalent Diaphragm Radius	: 88 mm
Equivalent Mass	: 9.82 g
Magnet Weight	: 1400 g
Net Weight	: 3690 g
Fs	: 42.8 Hz
Re	: 7.2 Ohm
Mms	: 11.54 g
BL	: 11.023TM
Qts	: 0.175
Qms	: 3.382
Qes	: 0.184
Vas	: 73.3 Ltr
Xmax	: 1.0mm
no	: 3.03%
Material	Frame : Cast
	Cone : PAPER+PRESS
	Surround : FABRIC
	Damper : CONEX
	Voice : 1.3"
	Magnet : 58.67 oz

SPL vs Freq



Impedance vs Freq

