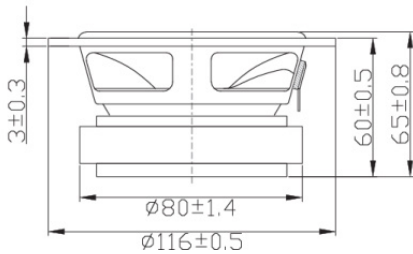
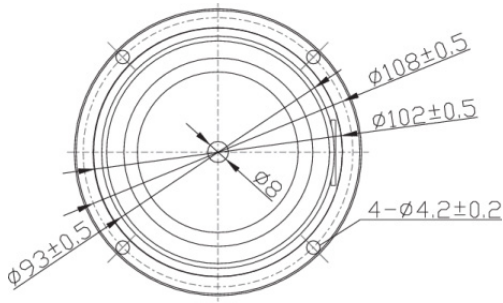




# TCP115-4 4" Poly Cone Midbass Woofer 4 Ohm



## FEATURES

- Aluminum former keeps voice coil cool for high power handling
- 1" diameter 4-layer voice coil improves power handling and low frequency response
- Extended pole piece creates symmetrical magnetic field for lower distortion
- Cosmetic low-profile mounting flange looks good without flush mounting
- Powerful motor for efficiency and compact enclosure

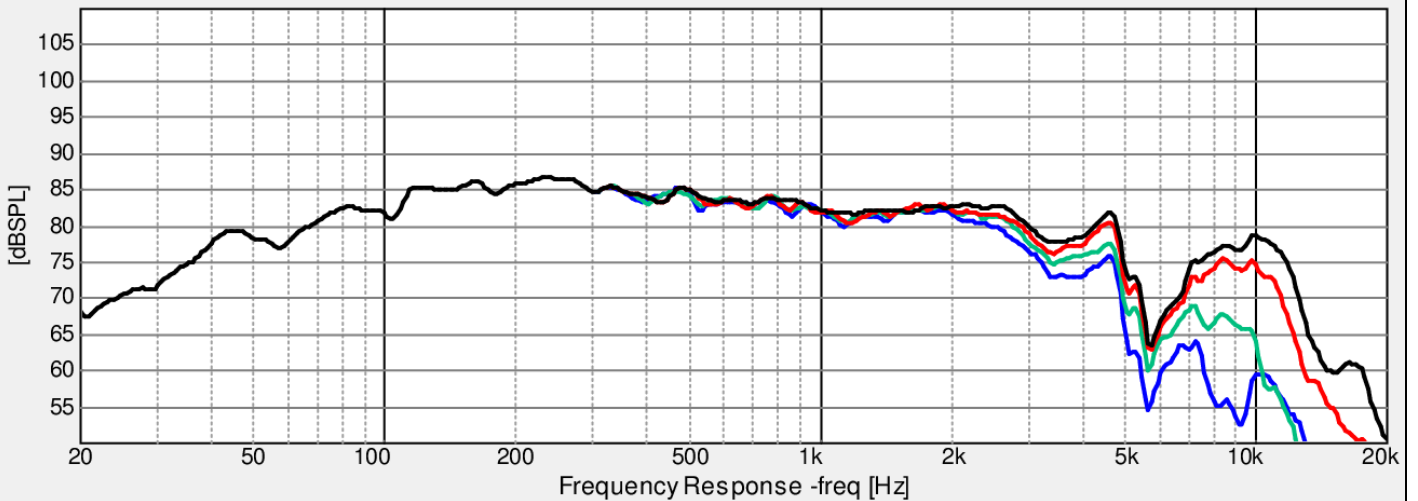
## PARAMETERS

|                             |                      |
|-----------------------------|----------------------|
| Impedance                   | 4 ohms               |
| Re                          | 3.2 ohms             |
| Le                          | 0.97 mH              |
| Fs                          | 53.8 Hz              |
| Qms                         | 3.14                 |
| Qes                         | 0.40                 |
| Qts                         | 0.35                 |
| Mms                         | 9.9 g                |
| Cms                         | 0.88 mm/N            |
| Sd                          | 50.3 cm <sup>2</sup> |
| Vd                          | 20.1 cm <sup>3</sup> |
| BL                          | 5.2 Tm               |
| Vas                         | 3.1 liters           |
| Xmax                        | 4.0 mm               |
| VC Diameter                 | 1"                   |
| SPL                         | 86.8 dB @ 2.83V/1m   |
| RMS Power Handling          | 40 watts             |
| Usable Frequency Range (Hz) | 55 - 5,000 Hz        |

## IMPEDANCE/PHASE



## FREQUENCY RESPONSE



OmniMic

Note: 1/24<sup>th</sup> octave smoothing - nearfield response included in graph below 450 Hz.

Black = 0°  
Red = 15°  
Green = 30°  
Blue = 45°