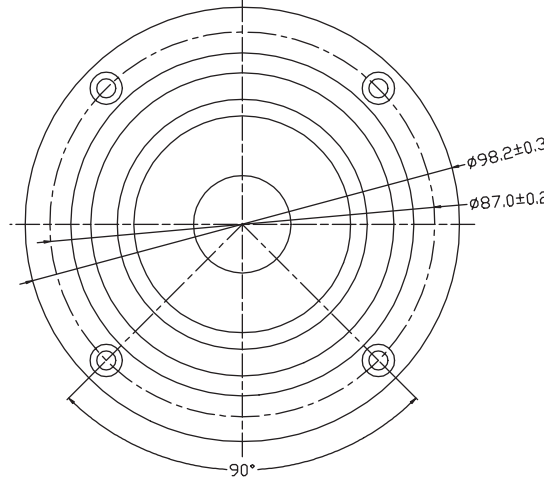
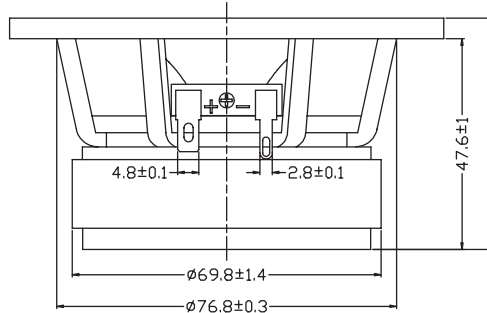


# PS95-8

# 3-1/2" Reference Full-Range Driver



Note: All dimensions in mm.

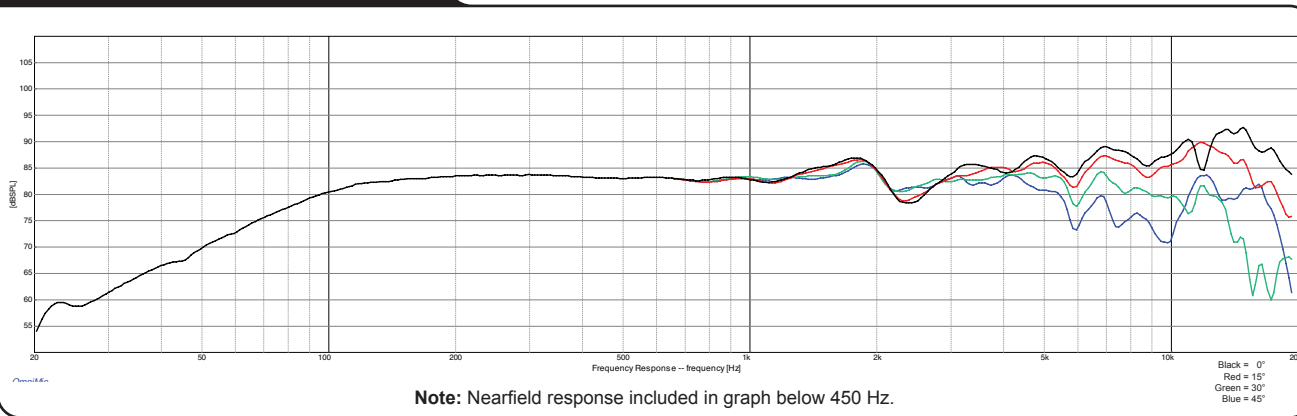
## Parameters

Impedance ( $\Omega$ )	8
Re ( $\Omega$ )	7.26
Le (mH) @ 1 kHz	0.61
Fs (Hz)	115
Qms	8.4
Qes	0.83
Qts	0.76
Mms (g)	2.33
Cms (mm/N)	0.81
Sd (cm <sup>2</sup> )	28.3
Vd (cm <sup>3</sup> )	7.08
BL (Tm)	3.83
VAS (liters)	0.91
XMAX (mm)	2.5
VC Diameter (mm)	20
SPL (dB 2.83V/1m)	83
RMS Power Handling (w)	10
Usable Frequency Range (Hz)	110-20,000

## Features

- Low distortion motor with copper pole cap
- Curved-profile natural paper cone
- Copper anodized aluminum phase plug
- Non-resonant cast aluminum frame
- Excellent clarity and detailed sound

## Frequency Response



Note: Nearfield response included in graph below 450 Hz.

## Impedance/Phase

