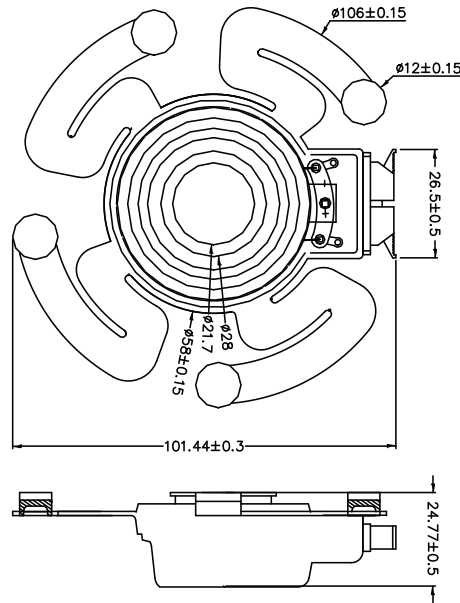


DAEX25Q-4

Quad Feet 25mm Exciter 20W 4 Ohm



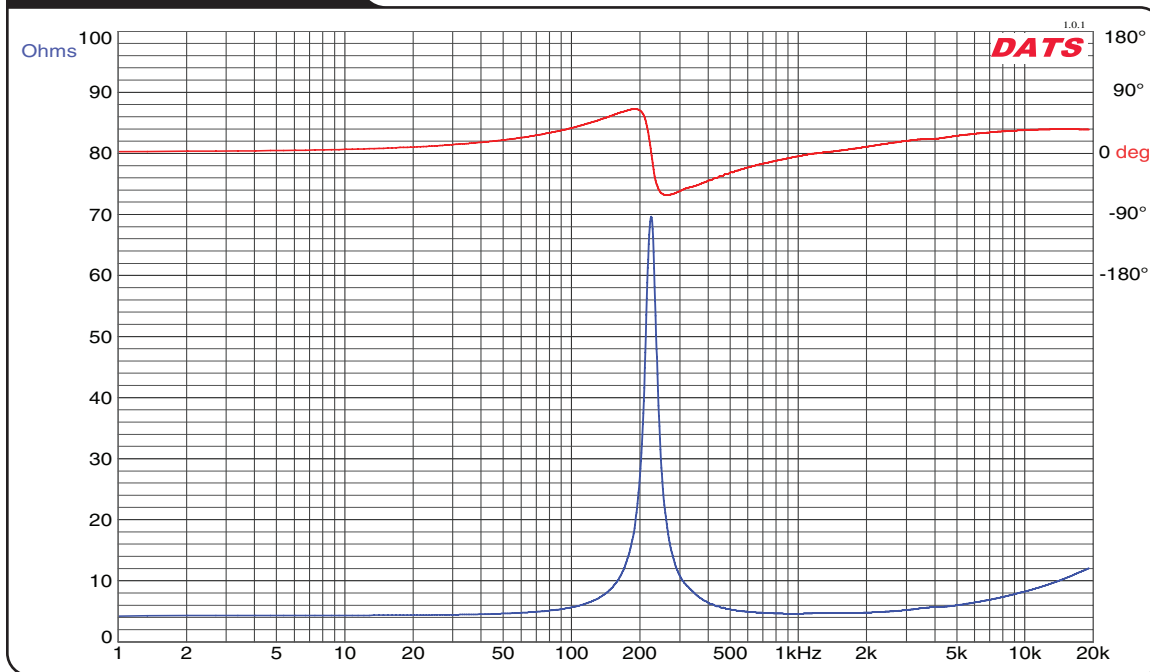
Features

- Wideband frequency response
- 3M adhesive pads
- Enhanced quad-feet mounting

Applications

- Hidden sound
- Home and office audio
- Windows and point of sale

Impedance Plot



Parameters

Impedance (Ω)	4
Re (Ω)	4.3
Le (mH) @ 1 kHz	0.25
Fs (Hz) - Uncoupled	224
Qms	—
Qes	—
Qts	0.69
Mms (g)	1.75
Cms (mm/N)	0.0003
Sd (cm ²)	—
Vd (cm ³)	—
BL (Tm)	3.86
VAS (liters)	—
XMAX (mm)	—
VC Diameter (mm)	25
Net Weight (g)	90.5
RMS Power Handling (W)	20
Usable Frequency Range (Hz)	*