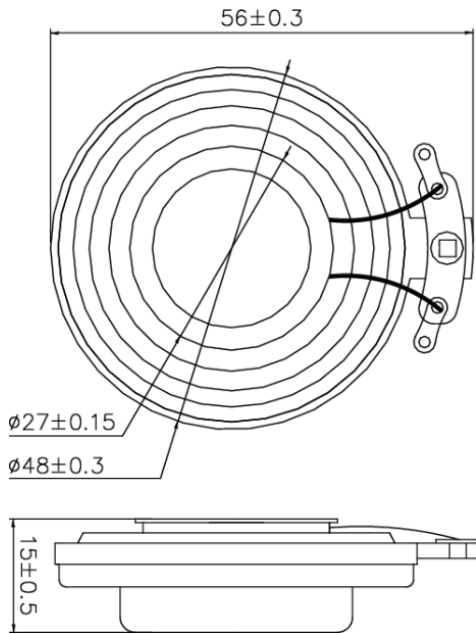




DAEX25CT-4 Coin Type 25mm Exciter 10W 4 Ohm

DAEX25CT-4



PARAMETERS	
Impedance	4 ohms
Re	3.6 ohms
Le	0.07 mH @ 1 kHz
Fs	306 Hz
Qms	N/A
Qes	N/A
Qts	1.07
Mms	1.29 g
Cms	0.0002 mm/N
Sd	N/A
Vd	N/A
BL	1.54 Tm
Vas	N/A
Xmax	N/A
VC Diameter	25 mm
SPL	N/A
RMS Power Handling	10 watts
Usable Frequency Range (Hz)	N/A

- ### FEATURES
- Small size; just under 2" diameter, about 9/16" high
 - Pre-applied 3M™ VHB™ adhesive for quick, durable installation
 - Rare-earth neodymium motor and a proprietary voice coil
 - 4 ohms impedance for use with small, Class D amplifiers
 - 1" voice coil for 10 watt RMS power handling

- ### APPLICATIONS
- Invisible home theater and multi-room audio
 - Electronic gaming machines
 - Advertising signage
 - Point-of-purchase displays
 - Multimedia exhibits
 - Commercial distributed audio
 - Kiosks
 - Automotive audio
 - Bathroom tubs and showers

