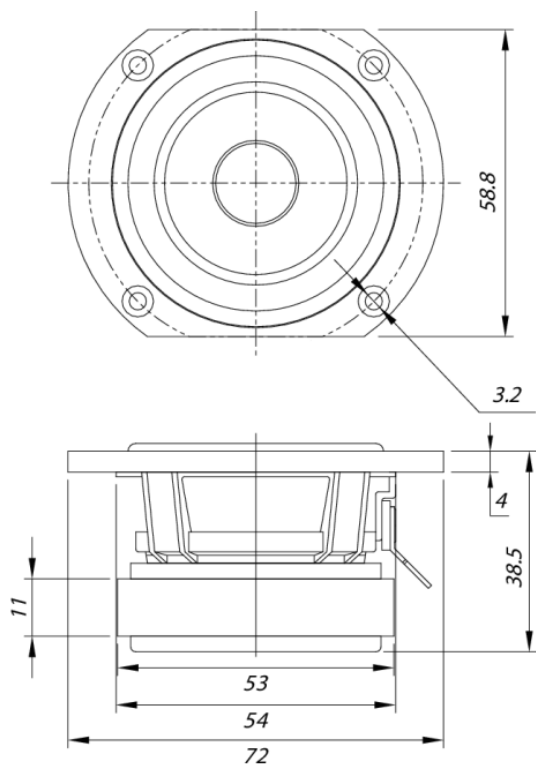




# RS75T-8 3" Reference Full-Range Truncated Frame 8 Ohm

RS75T-8



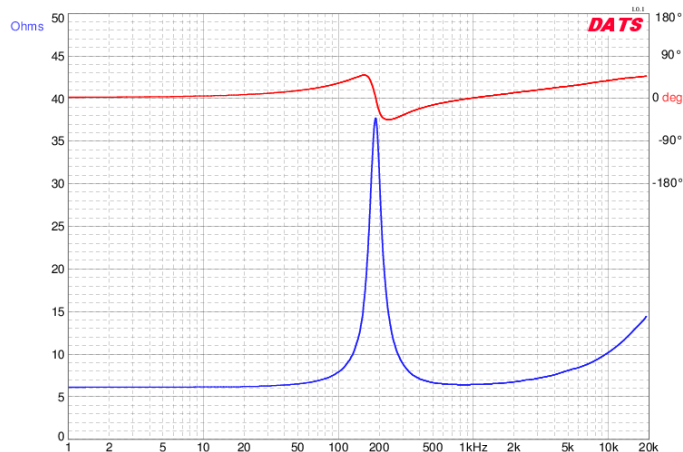
## PARAMETERS

Impedance	8 ohms
Re	6.1 ohms
Le	0.32 mH @ 1 kHz
Fs	189 Hz
Qms	5.84
Qes	1.13
Qts	0.95
Mms	1g
Cms	0.69 mm/N
Sd	12 cm <sup>2</sup>
Vd	1.56 cm <sup>3</sup>
BL	2.58 Tm
Vas	0.22 liters
Xmax	1.3 mm
VC Diameter	16 mm
SPL	84.3 dB @ 2.83V/1m
RMS Power Handling	15 watts
Usable Frequency Range (Hz)	170 - 20,000 Hz

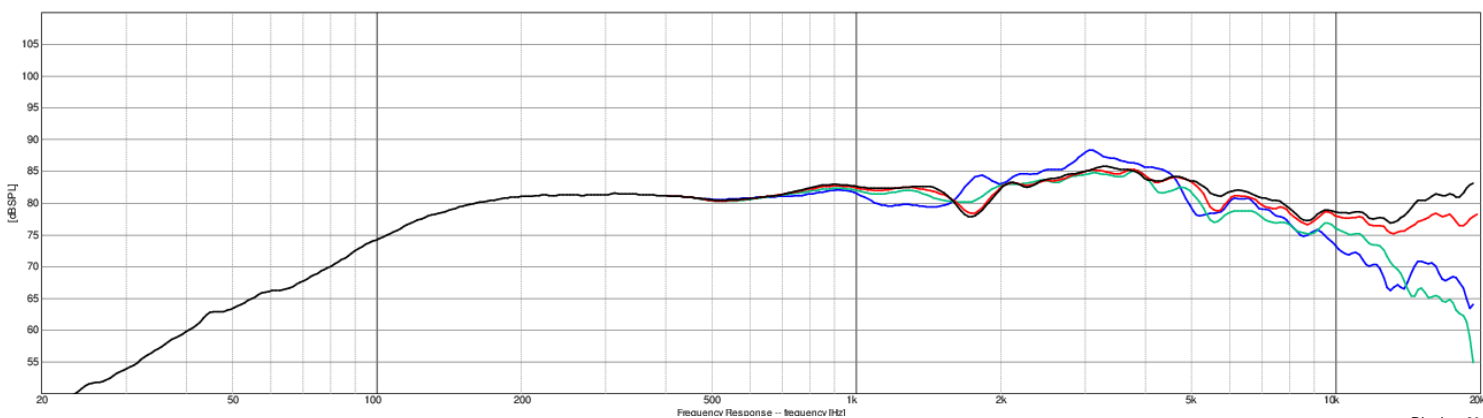
## FEATURES

- Truncated cast frame-great for line arrays and MTM speaker designs
- Full-range performance
- Low distortion and high resolution
- Aluminum frame, aluminum cone, rubber surround
- Distortion-reducing copper ring, copper cap, and aluminum phase plug
- Subtle yet high-tech look makes a bold cosmetic statement

## IMPEDANCE/PHASE



## FREQUENCY RESPONSE



Note: 1/24<sup>th</sup> octave smoothing - nearfield response included in graph below 450 Hz.

Black = 0°  
Red = 15°  
Green = 30°  
Blue = 45°