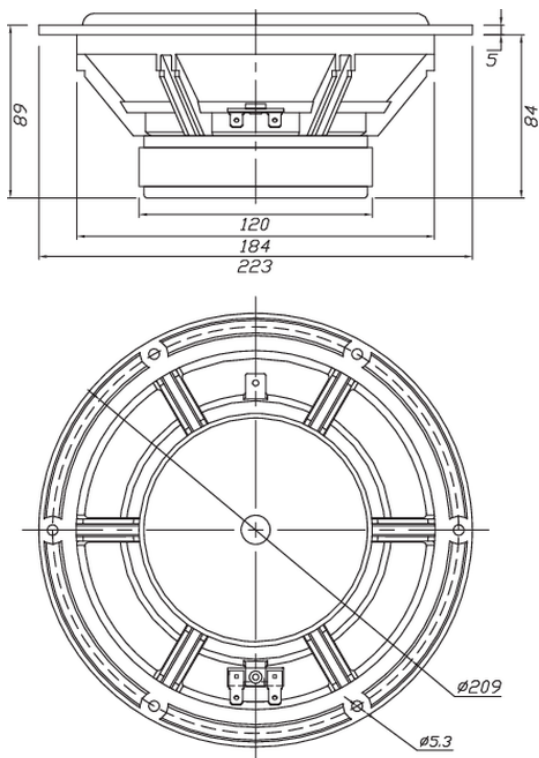




RS225-8 8" Reference Woofer 8 Ohm

RS225-8



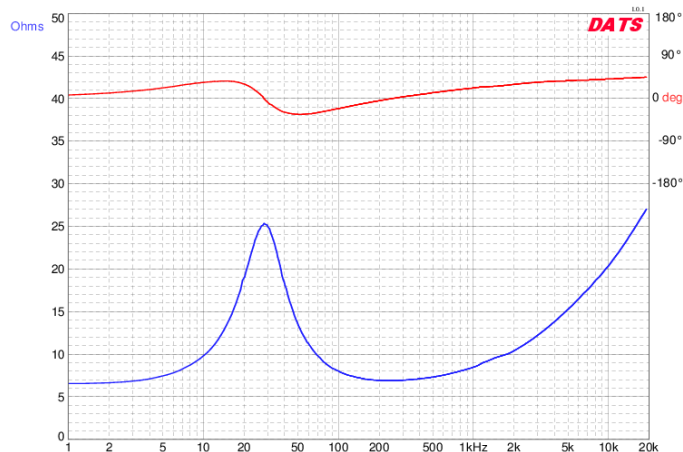
PARAMETERS

| | |
|-----------------------------|-----------------------|
| Impedance | 8 ohms |
| Re | 6.5 ohms |
| Le | 0.86 mH @ 1 kHz |
| Fs | 28.3 Hz |
| Qms | 1.46 |
| Qes | 0.51 |
| Qts | 0.38 |
| Mms | 35.8g |
| Cms | 0.88 mm/N |
| Sd | 213.8 cm ² |
| Vd | 149.7 cm ³ |
| BL | 9.05 Tm |
| Vas | 56.8 liters |
| Xmax | 7.0 mm |
| VC Diameter | 38 mm |
| SPL | 86.8 dB @ 2.83V/1m |
| RMS Power Handling | 80 watts |
| Usable Frequency Range (Hz) | 28 - 2,400 Hz |

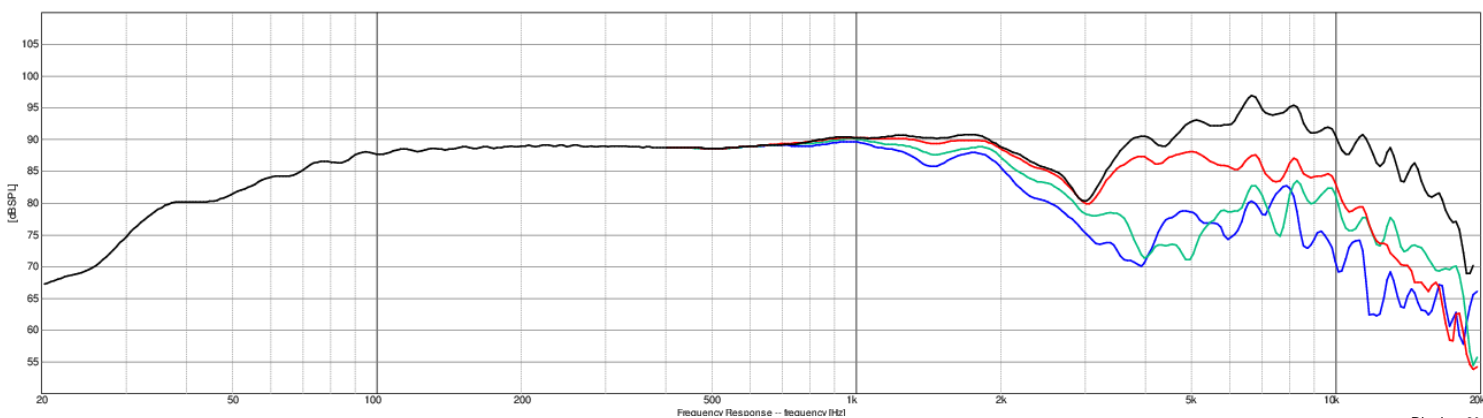
FEATURES

- One of the lowest distortion, highest resolution driver series available
- Low-distortion high-excursion motor system with two short-circuit paths
- Compliant suspension and rigid black anodized aluminum cone for strong bass performance
- Heavy-duty 6-hole cast frame, low-loss rubber surround, and solid aluminum phase plug

IMPEDANCE/PHASE



FREQUENCY RESPONSE



Note: 1/24th octave smoothing - nearfield response included in graph below 450 Hz.

Black = 0°
Red = 15°
Green = 30°
Blue = 45°