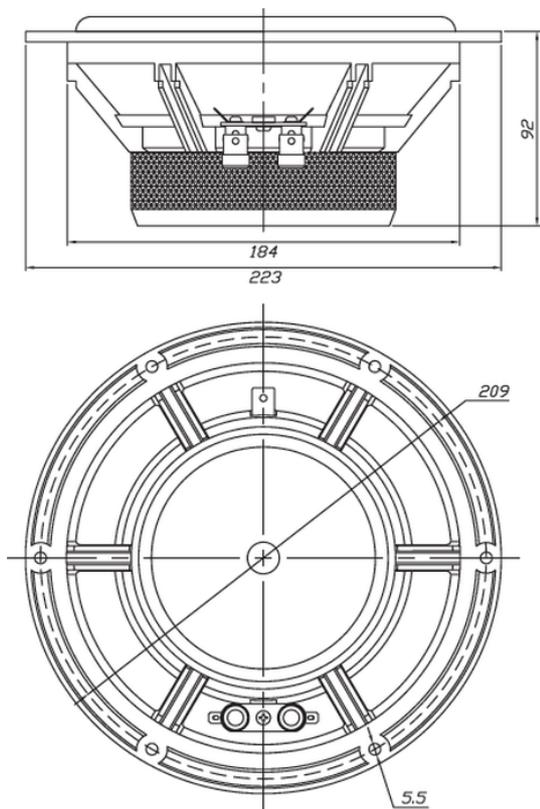




RS225-4 8" Reference Woofer 4 Ohm

RS225-4



PARAMETERS

| | |
|-----------------------------|-----------------------|
| Impedance | 4 ohms |
| Re | 3.2 ohms |
| Le | 0.49 mH @ 1 kHz |
| Fs | 33 Hz |
| Qms | 2.02 |
| Qes | 0.52 |
| Qts | 0.41 |
| Mms | 32.2g |
| Cms | 0.72 mm/N |
| Sd | 213.8 cm ² |
| Vd | 128.2 cm ³ |
| BL | 6.38 Tm |
| Vas | 46.4 liters |
| Xmax | 6.0 mm |
| VC Diameter | 38 mm |
| SPL | 91 dB @ 2.83V/1m |
| RMS Power Handling | 80 watts |
| Usable Frequency Range (Hz) | 35 - 2,300 Hz |

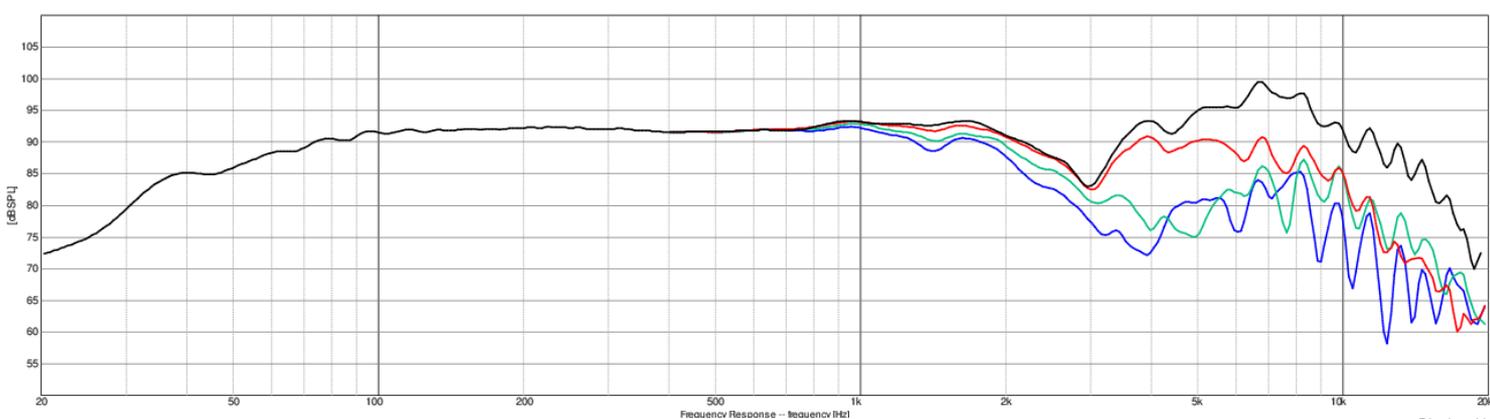
FEATURES

- 4 ohm impedance is perfect for series pairs in MTMs and center channel speakers
- Excellent car audio midrange/midbass
- High-end low-distortion motor with two shorting paths to reduce inductance

IMPEDANCE/PHASE



FREQUENCY RESPONSE



Note: 1/24th octave smoothing - nearfield response included in graph below 450 Hz.

Black = 0°
Red = 15°
Green = 30°
Blue = 45°