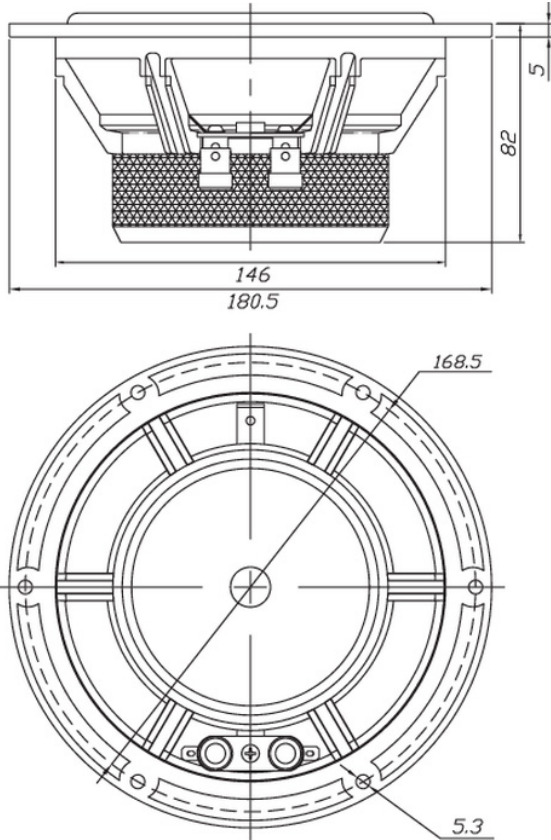




# RS180-4 7" Reference Woofer 4 Ohm

RS180-4



## PARAMETERS

Impedance	4 ohms
Re	3.1 ohms
Le	0.45 mH @ 1 kHz
Fs	38.4 Hz
Qms	2.13
Qes	0.59
Qts	0.46
Mms	17.8g
Cms	0.97 mm/N
Sd	124.7 cm <sup>2</sup>
Vd	74.8 cm <sup>3</sup>
BL	4.71 Tm
Vas	21.2 liters
Xmax	6.0 mm
VC Diameter	38 mm
SPL	89.2 dB @ 2.83V/1m
RMS Power Handling	60 watts
Usable Frequency Range (Hz)	39 - 3,600 Hz

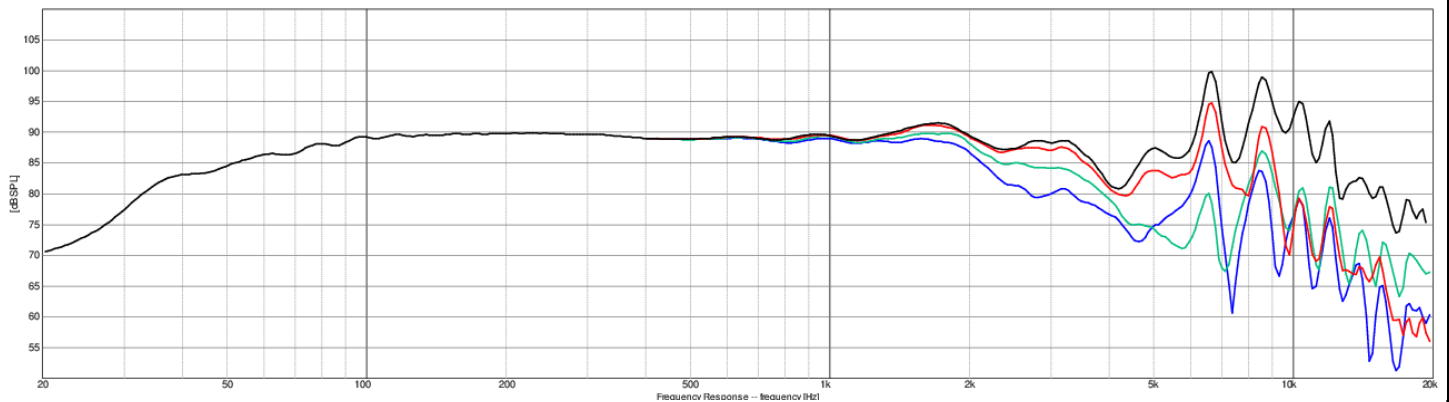
## FEATURES

- Great replacement for the Dayton RS180S-8 7" Reference Shielded Woofer 8 Ohm
- 4 ohm impedance is perfect for series pairs in MTMs and center channel speakers
- Excellent car audio midrange/midbass
- High-end low-distortion motor with two shorting paths to reduce inductance

## IMPEDANCE/PHASE



## FREQUENCY RESPONSE



Note: 1/24<sup>th</sup> octave smoothing - nearfield response included in graph below 450 Hz.

Black = 0°  
Red = 15°  
Green = 30°  
Blue = 45°