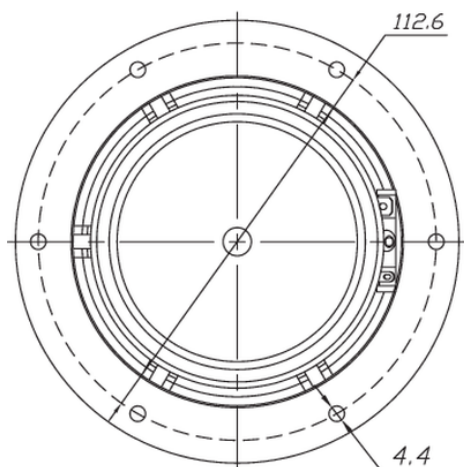
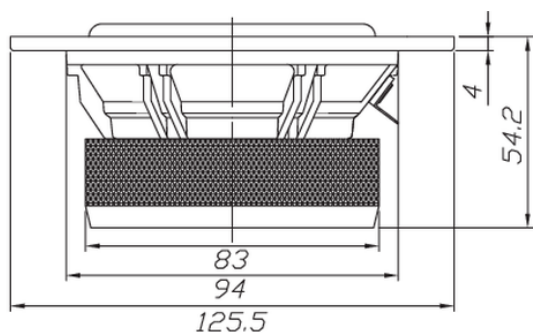




RS125-4 5" Reference Woofer 4 Ohm

RS125-4



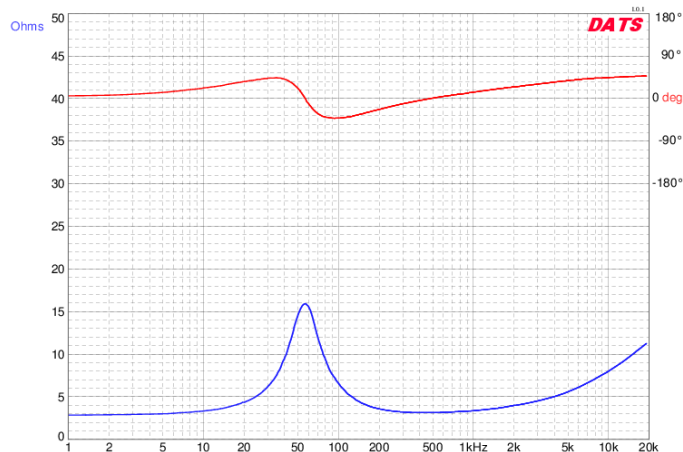
FEATURES

- 4 ohm impedance is perfect for series pairs in MTMs and center channel speakers
- Excellent car audio midrange/midbass
- High-end low-distortion motor with two shorting paths to reduce inductance

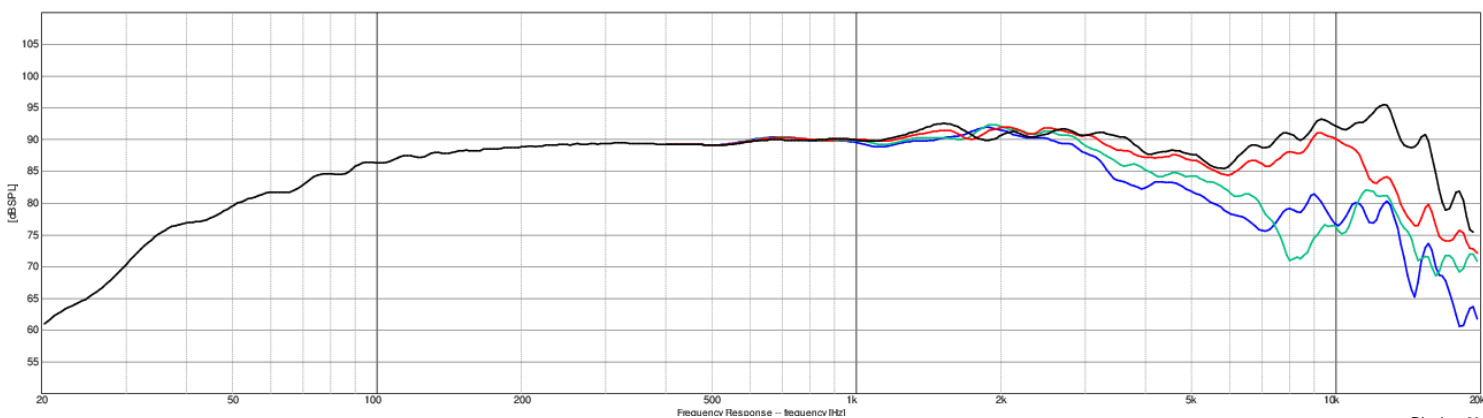
PARAMETERS

Impedance	4 ohms
Re	2.9 ohms
Le	0.28 mH @ 1 kHz
Fs	57.2 Hz
Qms	2.04
Qes	0.45
Qts	0.37
Mms	5.7g
Cms	1.35 mm/N
Sd	52.8 cm ²
Vd	21.1 cm ³
BL	3.63 Tm
Vas	5.29 liters
Xmax	4.0 mm
VC Diameter	25 mm
SPL	89.9 dB @ 2.83V/1m
RMS Power Handling	30 watts
Usable Frequency Range (Hz)	65 - 5,400 Hz

IMPEDANCE/PHASE



FREQUENCY RESPONSE



Note: 1/24th octave smoothing - nearfield response included in graph below 450 Hz.

Black = 0°
Red = 15°
Green = 30°
Blue = 45°