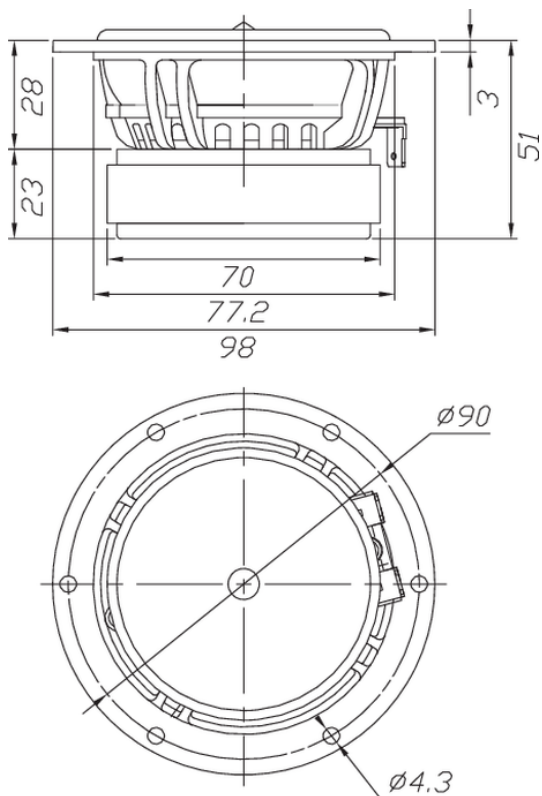




# RS100-8 4" Reference Full-Range Driver 8 Ohm

RS100-8



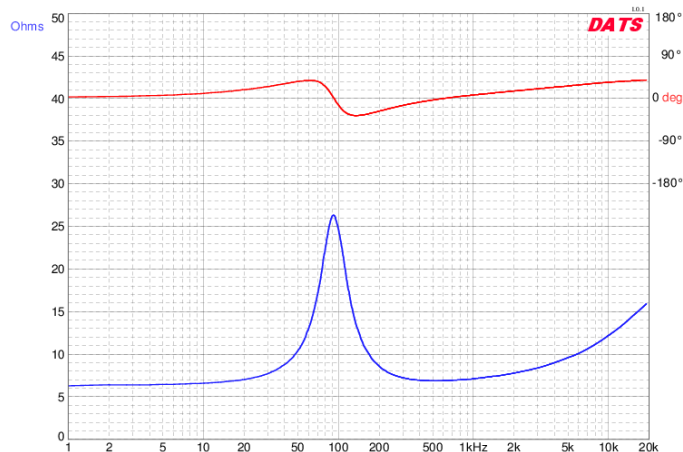
## PARAMETERS

Impedance	8 ohms
Re	6.4 ohms
Le	0.5 mH @ 1 kHz
Fs	92.2 Hz
Qms	2.37
Qes	0.76
Qts	0.58
Mms	3.63g
Cms	0.82 mm/N
Sd	35.3 cm <sup>2</sup>
Vd	12.4 cm <sup>3</sup>
BL	4.2 Tm
Vas	1.43 liters
Xmax	3.5 mm
VC Diameter	25 mm
SPL	84.6 dB @ 2.83V/1m
RMS Power Handling	30 watts
Usable Frequency Range (Hz)	90 - 20,000 Hz

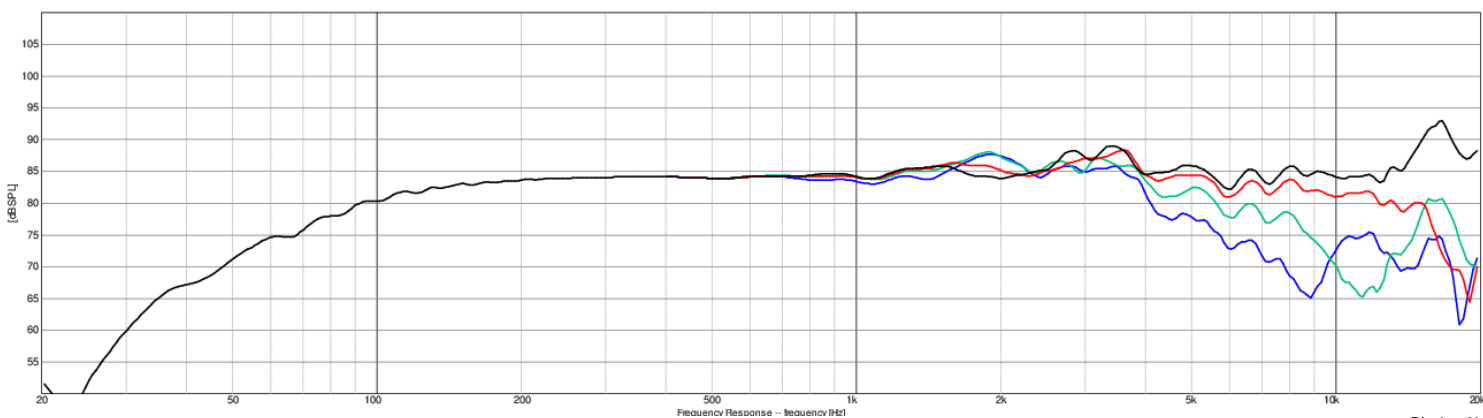
## FEATURES

- One of the lowest distortion, highest resolution driver series available
- Low-distortion high-excursion motor system with two short-circuit paths
- Compliant suspension and rigid black anodized aluminum cone for strong bass performance
- Heavy-duty 6-hole cast frame, low-loss rubber surround, and solid aluminum phase plug

## IMPEDANCE/PHASE



## FREQUENCY RESPONSE



Note: 1/24<sup>th</sup> octave smoothing - nearfield response included in graph below 450 Hz.

Black = 0°  
Red = 15°  
Green = 30°  
Blue = 45°