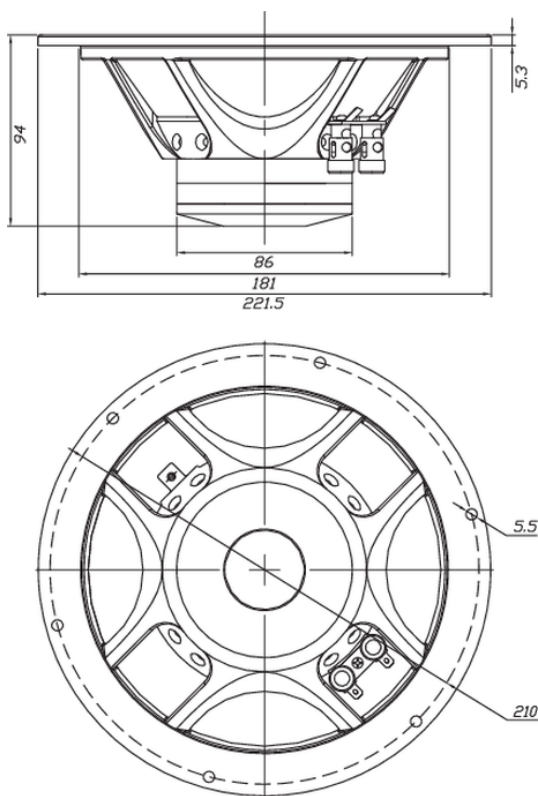




PM220-8 8" Neo Wideband Midbass Driver

PM220-8



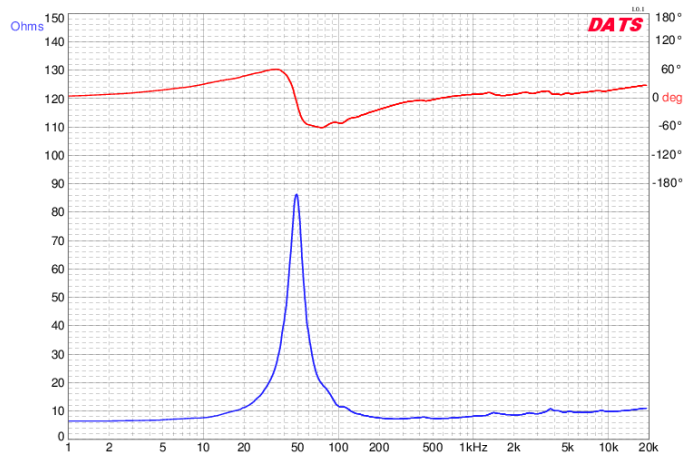
PARAMETERS

Impedance	8 ohms
Re	6.5 ohms
Le	0.8 mH @ 1 kHz
Fs	49.1 Hz
Qms	5.08
Qes	0.41
Qts	0.38
Mms	10.7g
Cms	0.98 mm/N
Sd	205.3 cm ²
Vd	1.026 cm ³
BL	7.21 Tm
Vas	63 liters
Xmax	4.6 mm
VC Diameter	25 mm
SPL	95.4 dB @ 2.83V/1m
RMS Power Handling	40 watts
Usable Frequency Range (Hz)	43 - 10,000 Hz

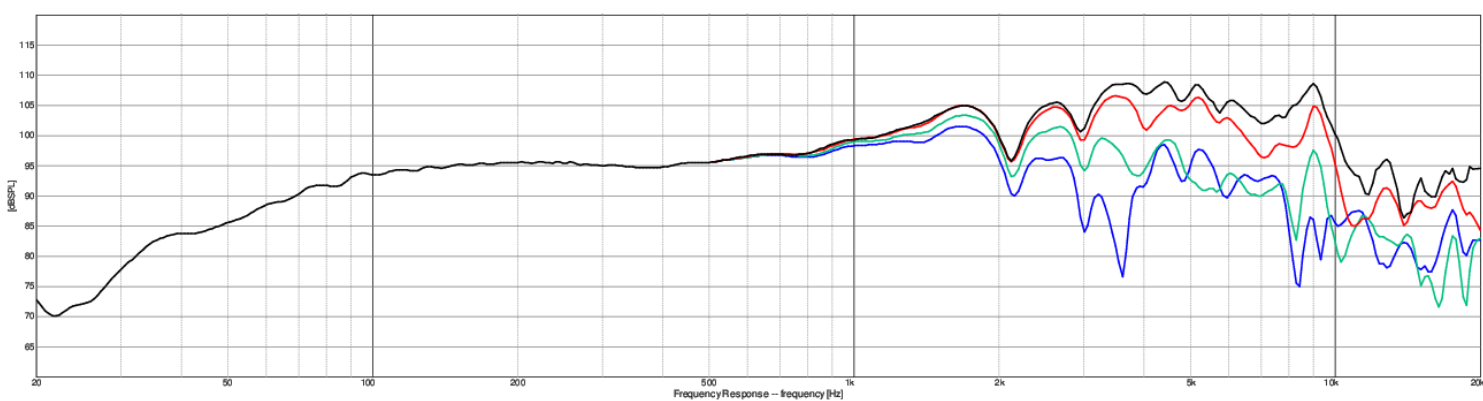
FEATURES

- Kevlar-reinforced paper cone for excellent detail
- Klippel-optimized, high-performance design
- Wide 43 to 10,000 Hz bandwidth meets high 95 dB sensitivity
- Perfect complement for ribbon and planar tweeters
- Neodymium ring motor with underhung geometry

IMPEDANCE/PHASE



FREQUENCY RESPONSE



Note: 1/24th octave smoothing - nearfield response included in graph below 450 Hz.

Black = 0°
Red = 15°
Green = 30°
Blue = 45°