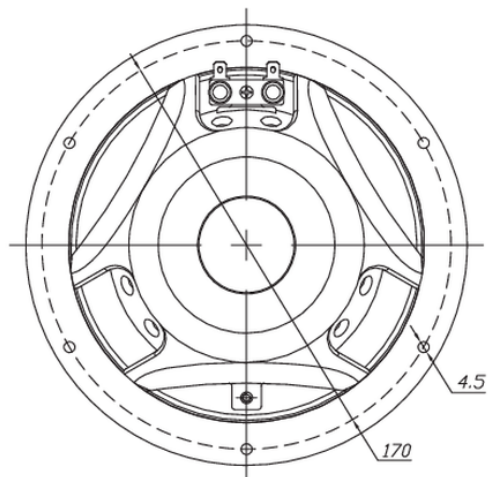
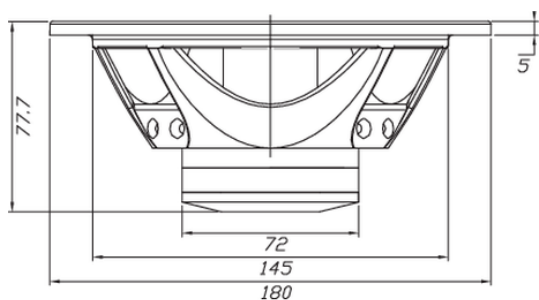




PM180-8 6-1/2" Neo Wideband Midbass Driver

PM180-8



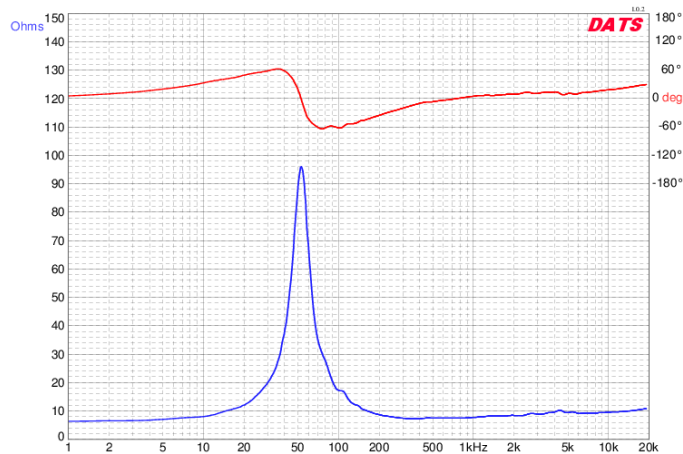
FEATURES

- Klippel-optimized, high-performance design
- Neodymium ring motor with underhung geometry
- Kevlar-reinforced paper cone for excellent detail
- Perfect complement for ribbon and planar tweeters
- Wide bandwidth meets high 94 dB sensitivity

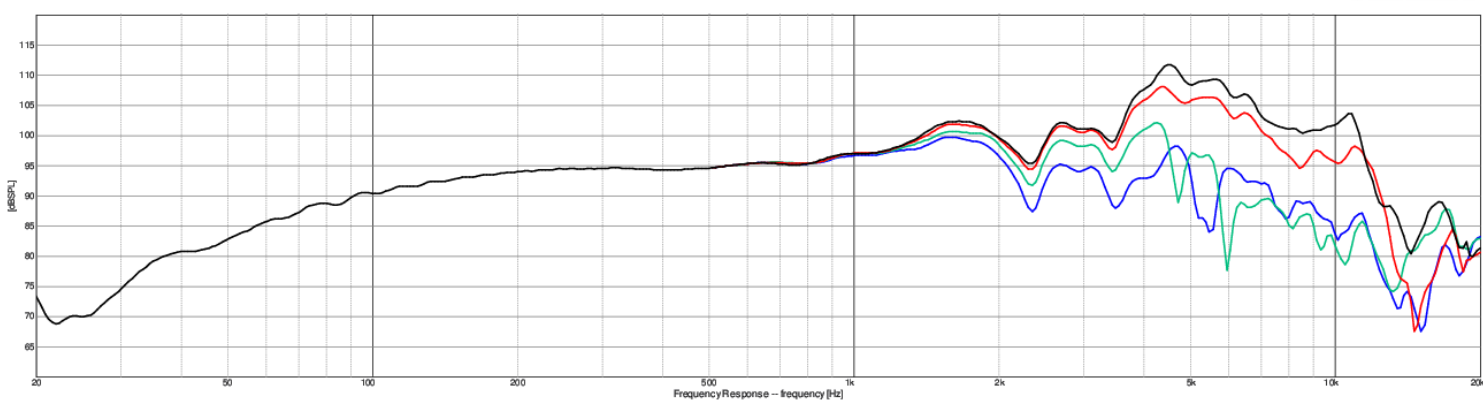
PARAMETERS

| | |
|-----------------------------|------------------------|
| Impedance | 8 ohms |
| Re | 6.4 ohms |
| Le | 0.68 mH @ 1 kHz |
| Fs | 53.2 Hz |
| Qms | 4.13 |
| Qes | 0.30 |
| Qts | 0.28 |
| Mms | 8.2g |
| Cms | 1.1 mm/N |
| Sd | 130.69 cm ² |
| Vd | 0.653 cm ³ |
| BL | 7.7 Tm |
| Vas | 28 liters |
| Xmax | 4.6 mm |
| VC Diameter | 25 mm |
| SPL | 94.4 dB @ 2.83V/1m |
| RMS Power Handling | 30 watts |
| Usable Frequency Range (Hz) | 55 - 12,000 Hz |

IMPEDANCE/PHASE



FREQUENCY RESPONSE



Note: 1/24th octave smoothing - nearfield response included in graph below 450 Hz.

Black = 0°
Red = 15°
Green = 30°
Blue = 45°