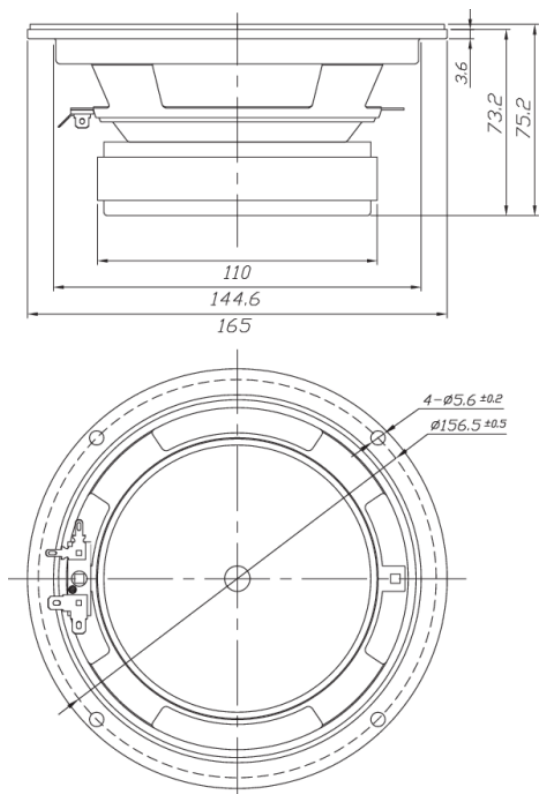




PA165-8 6" PA Driver Speaker 8 Ohm

PA165-8



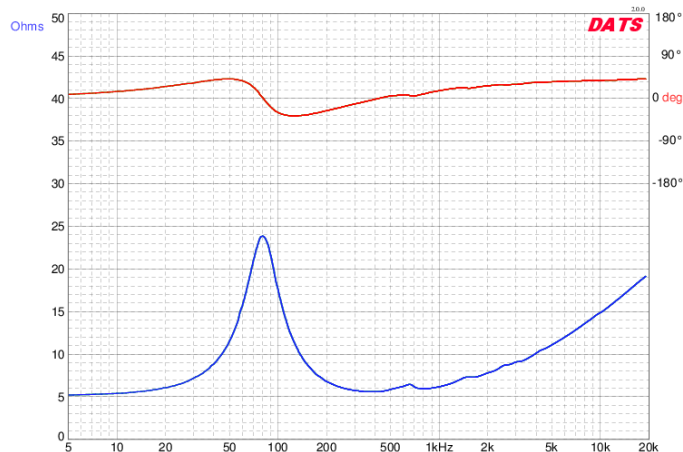
PARAMETERS

Impedance	8 ohms
Re	5.15 ohms
Le	0.54 mH @ 1 kHz
Fs	80.8 Hz
Qms	2.19
Qes	0.60
Qts	0.47
Mms	9.2g
Cms	0.42 mm/N
Sd	120.8 cm ²
Vd	N/A
BL	6.33 Tm
Vas	9.2 liters
Xmax	0 mm
VC Diameter	35 mm
SPL	92.9 dB @ 2.83V/1m
RMS Power Handling	75 watts
Usable Frequency Range (Hz)	80 - 5,000 Hz

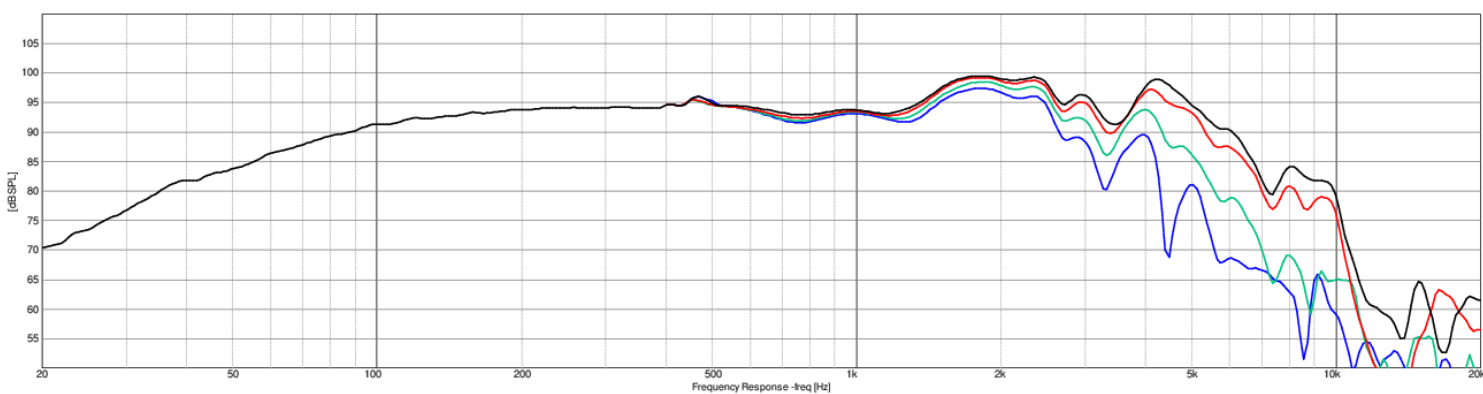
FEATURES

- Cost-effective high output 6-1/2" midrange driver
- Used in compact monitors, 3-way and 4-way PA systems, and home music systems
- 1-1/2" aluminum voice coil, vented pole piece, and large ceramic magnet

IMPEDANCE/PHASE



FREQUENCY RESPONSE



Note: 1/24th octave smoothing - nearfield response included in graph below 450 Hz.

Black = 0°
Red = 15°
Green = 30°
Blue = 45°