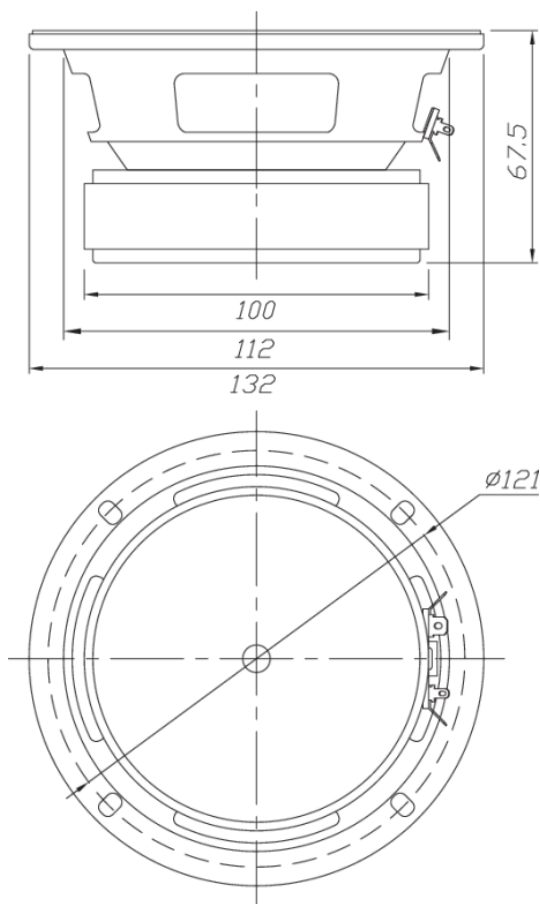




PA130-8 5" Full-Range PA Driver 8 Ohm

PA130-8



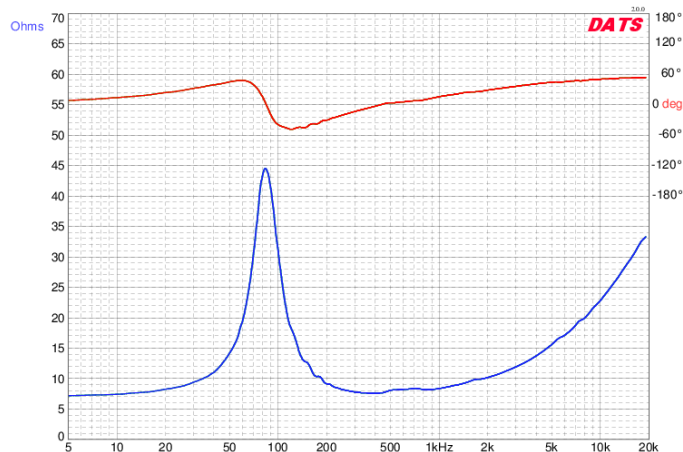
PARAMETERS

Impedance	8 ohms
Re	7.1 ohms
Le	0.71 mH @ 1 kHz
Fs	83.4 Hz
Qms	3.21
Qes	0.60
Qts	0.51
Mms	6.8g
Cms	0.54 mm/N
Sd	73.9 cm ²
Vd	14.8 cm ³
BL	6.44 Tm
Vas	3.95 liters
Xmax	2.0 mm
VC Diameter	25 mm
SPL	88.2 dB @ 2.83V/1m
RMS Power Handling	50 watts
Usable Frequency Range (Hz)	90 - 15,000 Hz

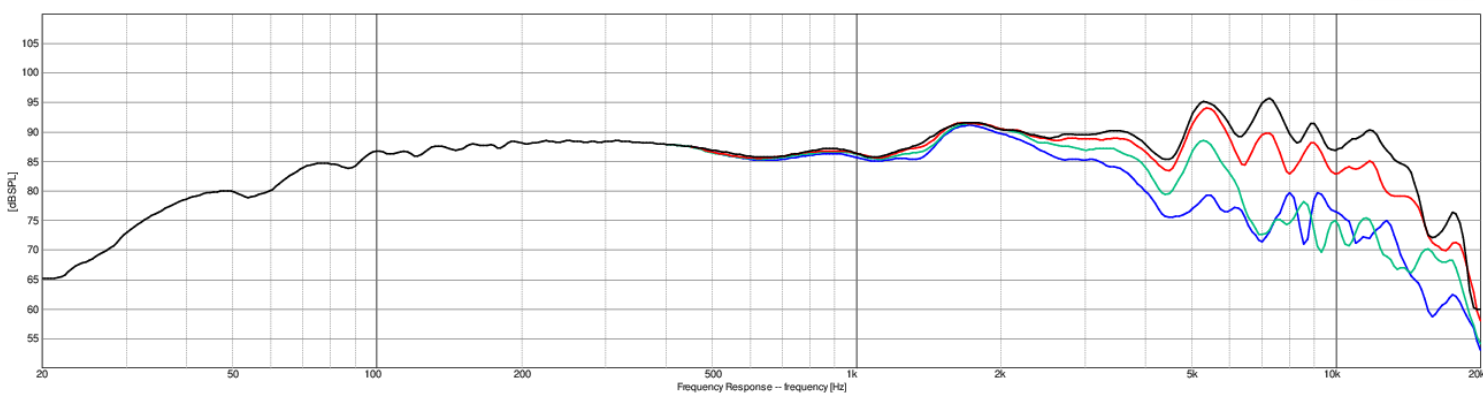
FEATURES

- Great low-cost driver designed for use in small stage monitors
- Broad frequency coverage and flat midrange ensure that vocals and instruments sound perfect
- Rugged construction

IMPEDANCE/PHASE



FREQUENCY RESPONSE



Note: 1/24th octave smoothing - nearfield response included in graph below 450 Hz.

Black = 0°
Red = 15°
Green = 30°
Blue = 45°