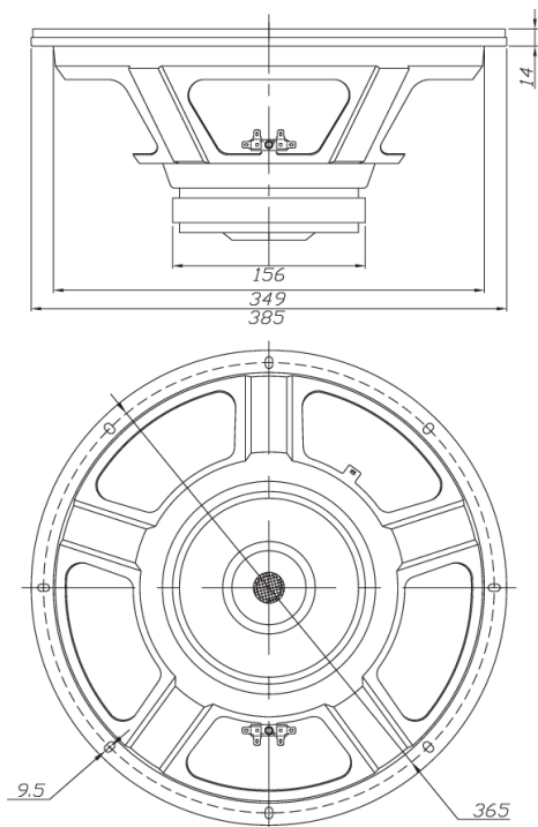




# DC380-8 15" Classic Woofer 8 Ohm

DC380-8



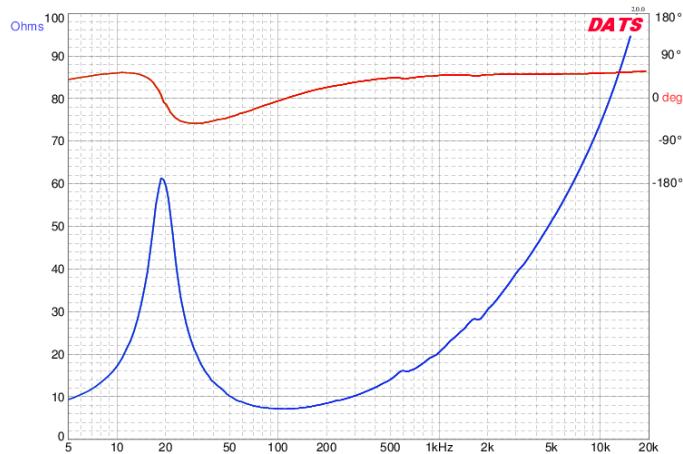
## PARAMETERS

Impedance	8 ohms
Re	6.4 ohms
Le	3.09 mH @ 1 kHz
Fs	18.8 Hz
Qms	2.87
Qes	0.34
Qts	0.30
Mms	182.9g
Cms	0.39 mm/N
Sd	834.7 cm <sup>2</sup>
Vd	363.1 cm <sup>3</sup>
BL	20.4 Tm
Vas	391.4 liters
Xmax	4.35 mm
VC Diameter	51 mm
SPL	91.8 dB @ 2.83V/1m
RMS Power Handling	100 watts
Usable Frequency Range (Hz)	20 - 1,500 Hz

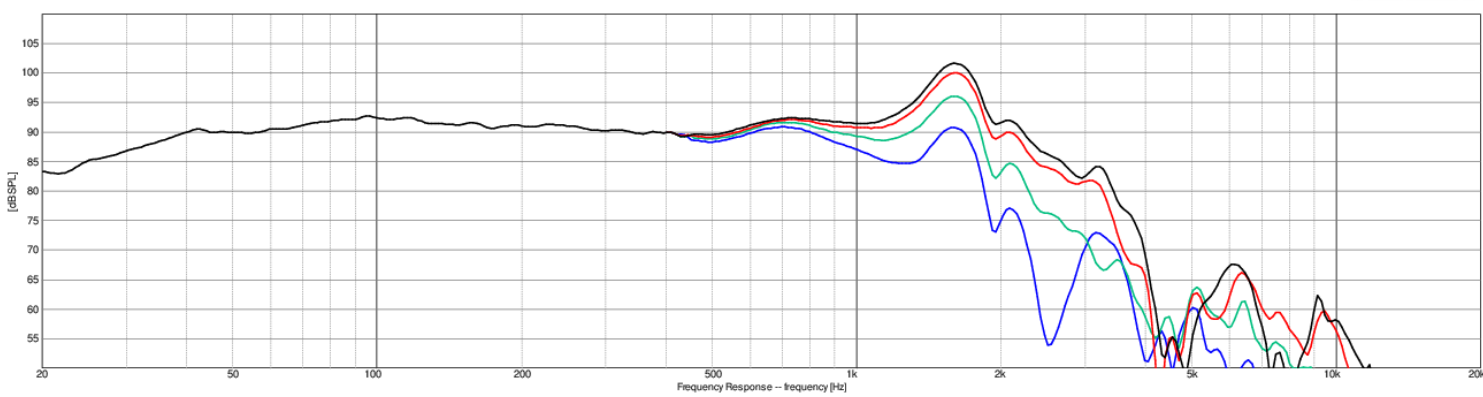
## FEATURES

- Treated paper cone provides smooth response and low energy storage
- Aluminum former, vented pole piece, and porous dustcap for high power handling
- Large diameter flat spider and healthy Xmax for clean bass

## IMPEDANCE/PHASE



## FREQUENCY RESPONSE



Note: 1/24<sup>th</sup> octave smoothing - nearfield response included in graph below 450 Hz.

Black = 0°  
Red = 15°  
Green = 30°  
Blue = 45°