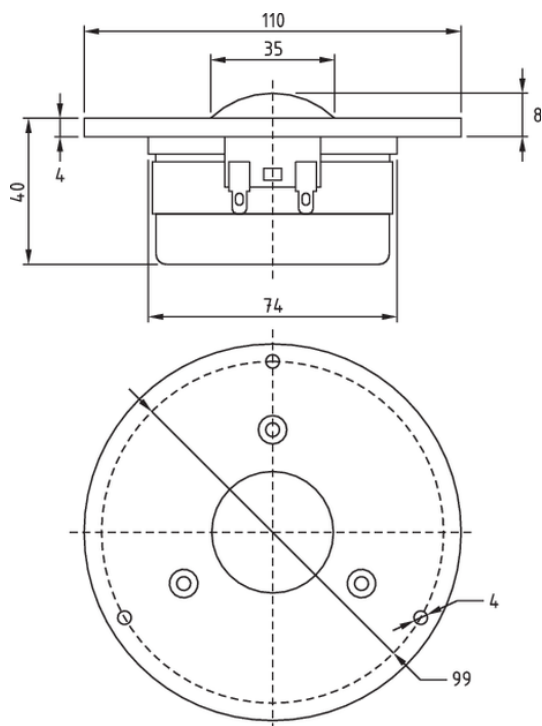


DAYTONAUDIO



DC28F-8 1-1/8" Silk Dome Tweeter 8 Ohm

DC28F-8



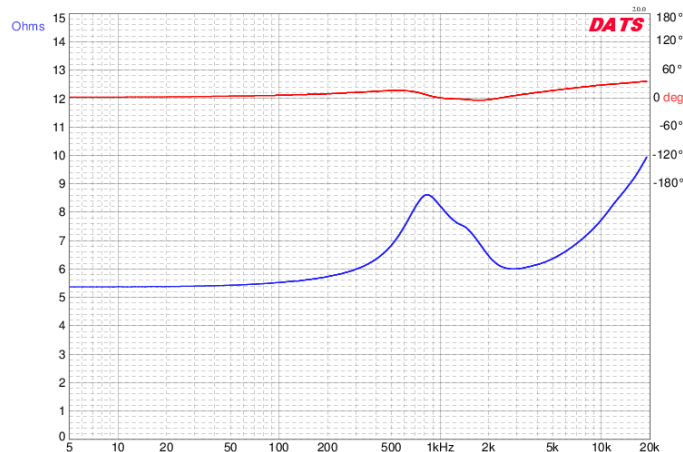
FEATURES

- Smooth, extended response
- Treated silk dome
- Damped rear chamber lowers resonance
- Ferrofluid cooled voice coil
- Sounds like tweeters costing far more!
- Great replacement for the Dayton DC28FS-8 1-1/8" Silk Dome Shielded Tweeter

PARAMETERS

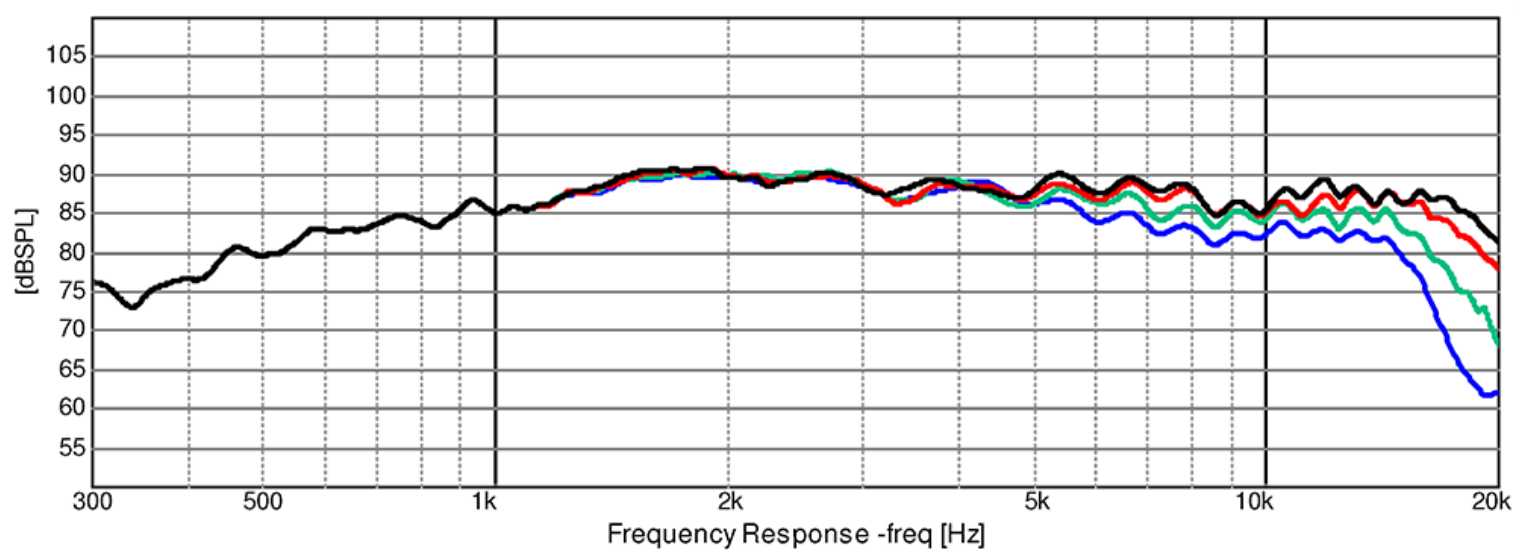
Impedance	8 ohms
Re	5.4 ohms
Le	0.09 mH @ 10 kHz
Fs	834 Hz
Qms	0.81
Qes	1.33
Qts	0.50
Mms	N/A
Cms	N/A
Sd	6.6 cm ²
Vd	N/A
BL	N/A
Vas	N/A
Xmax	N/A
VC Diameter	29 mm
SPL	89 dB @ 1W/1m
RMS Power Handling	50 watts
Usable Frequency Range (Hz)	1,300 - 20,000 Hz

IMPEDANCE/PHASE



FREQUENCY RESPONSE

OMNIMIC



OmniMic

Note: 1/24th octave smoothing - nearfield response included in graph below 450 Hz.

Black = 0°
Red = 15°
Green = 30°
Blue = 45°