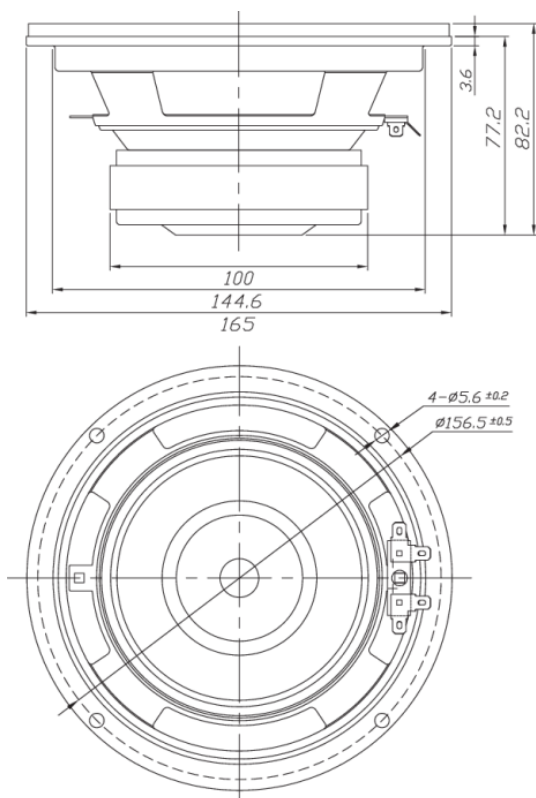




DC160-8 6-1/2" Classic Woofer 8 Ohm

DC160-8



FEATURES

- Great bang-for-the-buck driver can be used as a woofer, midbass, or even as a small subwoofer
- Smooth frequency response up to 2 kHz and great bass response
- Rubber surround, aluminum voice coil, and extended bump plate
- Low 34 Hz free-air resonance

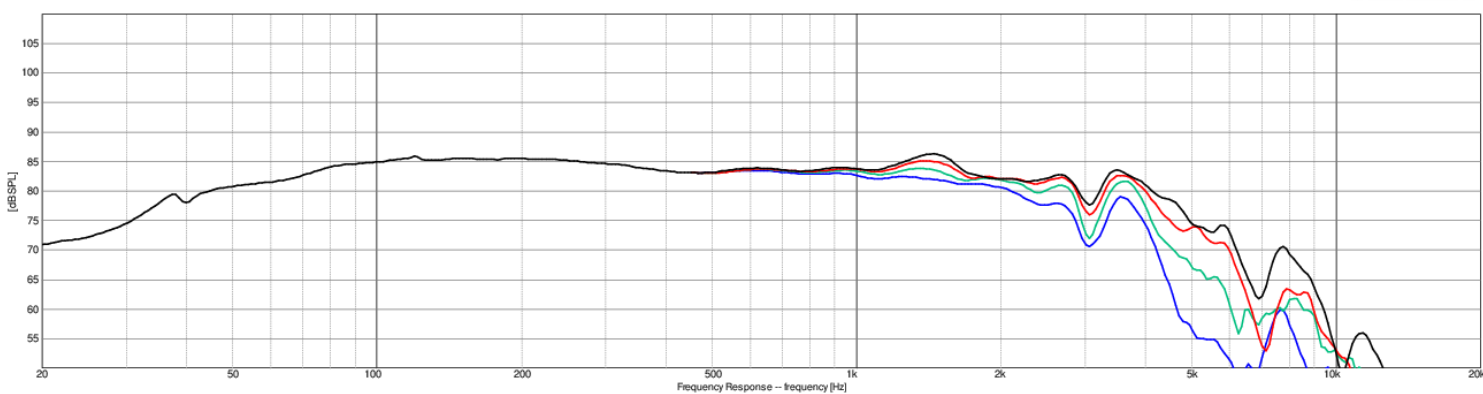
PARAMETERS

Impedance	8 ohms
Re	6.6 ohms
Le	2.26 mH @ 1 kHz
Fs	35.7 Hz
Qms	3.46
Qes	0.38
Qts	0.34
Mms	29.3g
Cms	0.68 mm/N
Sd	134.8 cm ²
Vd	42.5 cm ³
BL	10.7 Tm
Vas	17.9 liters
Xmax	3.15 mm
VC Diameter	35 mm
SPL	86.1 dB @ 2.83V/1m
RMS Power Handling	50 watts
Usable Frequency Range (Hz)	30 - 4,000 Hz

IMPEDANCE/PHASE



FREQUENCY RESPONSE



Note: 1/24th octave smoothing - nearfield response included in graph below 450 Hz.

Black = 0°
Red = 15°
Green = 30°
Blue = 45°