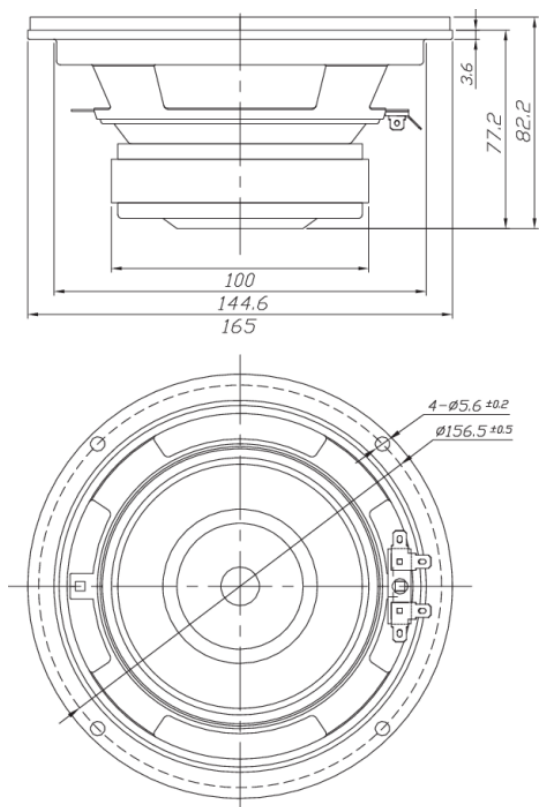




# DC160-4 6-1/2" Classic Woofer 4 Ohm

DC160-4



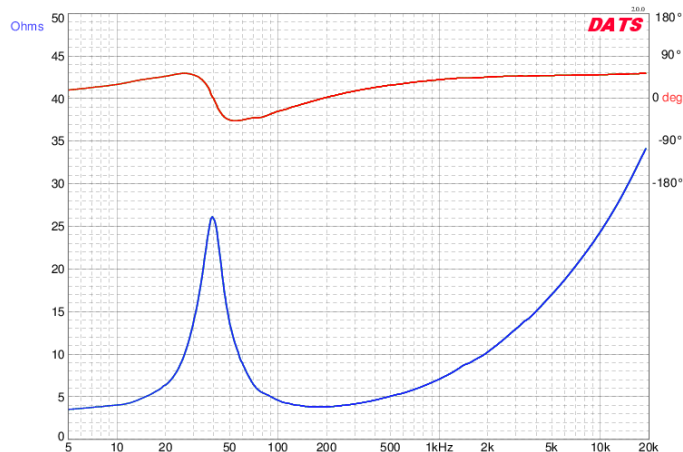
## PARAMETERS

Impedance	4 ohms
Re	3.4 ohms
Le	0.99 mH @ 1 kHz
Fs	39 Hz
Qms	3.31
Qes	0.49
Qts	0.43
Mms	29.2g
Cms	0.57 mm/N
Sd	136.8 cm <sup>2</sup>
Vd	46.5 cm <sup>3</sup>
BL	7.02 Tm
Vas	15 liters
Xmax	3.4 mm
VC Diameter	35.5 mm
SPL	88.3 dB @ 2.83V/1m
RMS Power Handling	60 watts
Usable Frequency Range (Hz)	30 - 4,000 Hz

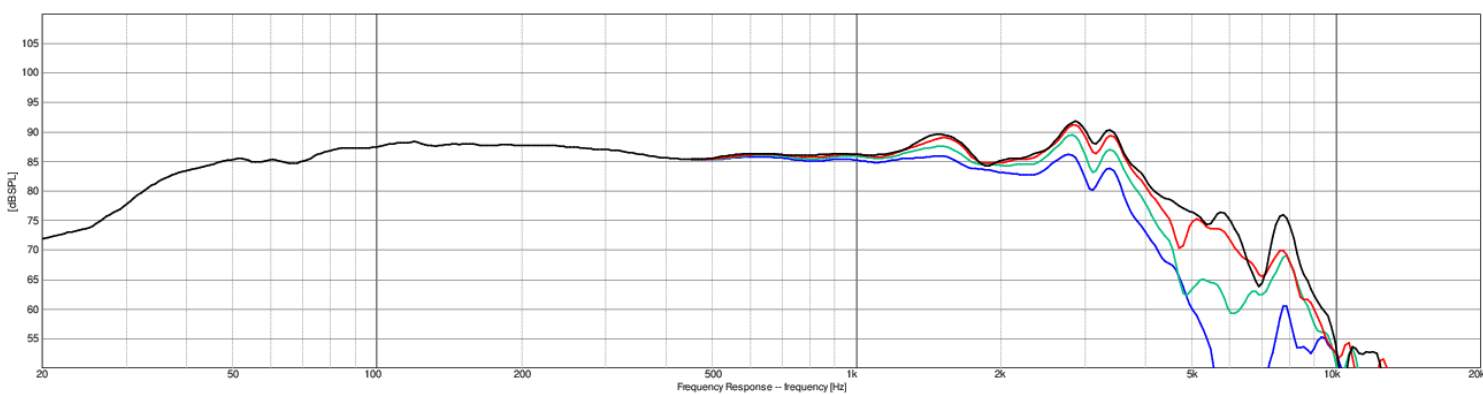
## FEATURES

- Sturdy, easy-to-countersink round steel frame
- 4 ohm impedance offers alternative load possibilities
- Coated paper cone provides smooth response and reduced cone breakup
- Aluminum VC former and vented pole piece for high power handling
- Large diameter flat spider and good Xmax for clean bass
- Suitable for sealed or vented enclosures

## IMPEDANCE/PHASE



## FREQUENCY RESPONSE



Note: 1/24<sup>th</sup> octave smoothing - nearfield response included in graph below 450 Hz.

Black = 0°  
Red = 15°  
Green = 30°  
Blue = 45°