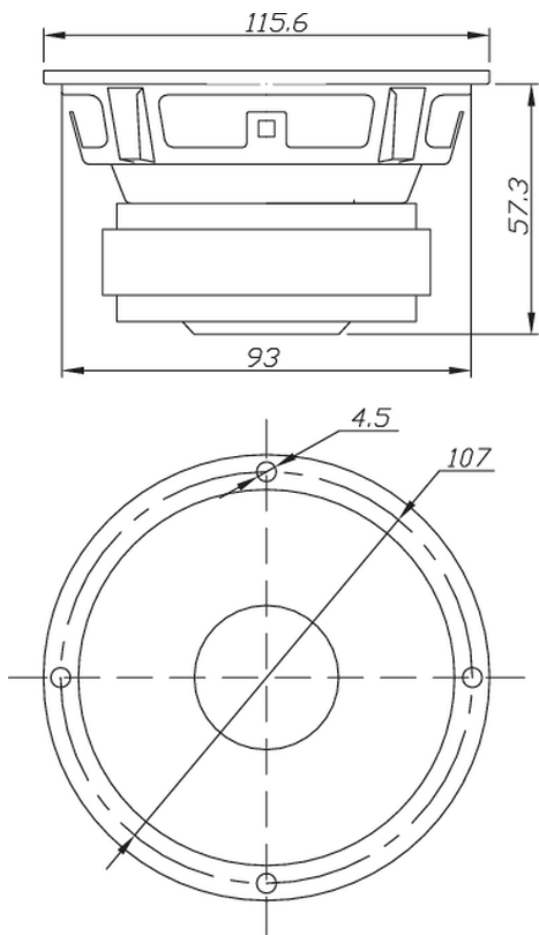




# DA115-8 4" Aluminum Cone Woofer

DA115-8



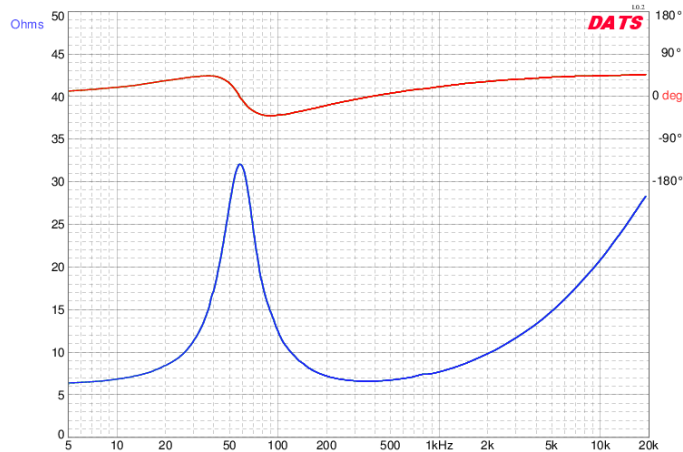
## PARAMETERS

Impedance	8 ohms
Re	6.4 ohms
Le	0.70 mH
Fs	60 Hz
Qms	2.60
Qes	0.49
Qts	0.41
Mms	6.6g
Cms	1.1 mm/N
Sd	53.1 cm <sup>2</sup>
Vd	0.0133 cm <sup>3</sup>
BL	5.70 Tm
Vas	4.4 liters
Xmax	2.5 mm
VC Diameter	25 mm
SPL	84.9 dB @ 1W/1m
RMS Power Handling	20 watts
Usable Frequency Range (Hz)	60 - 15,000 Hz

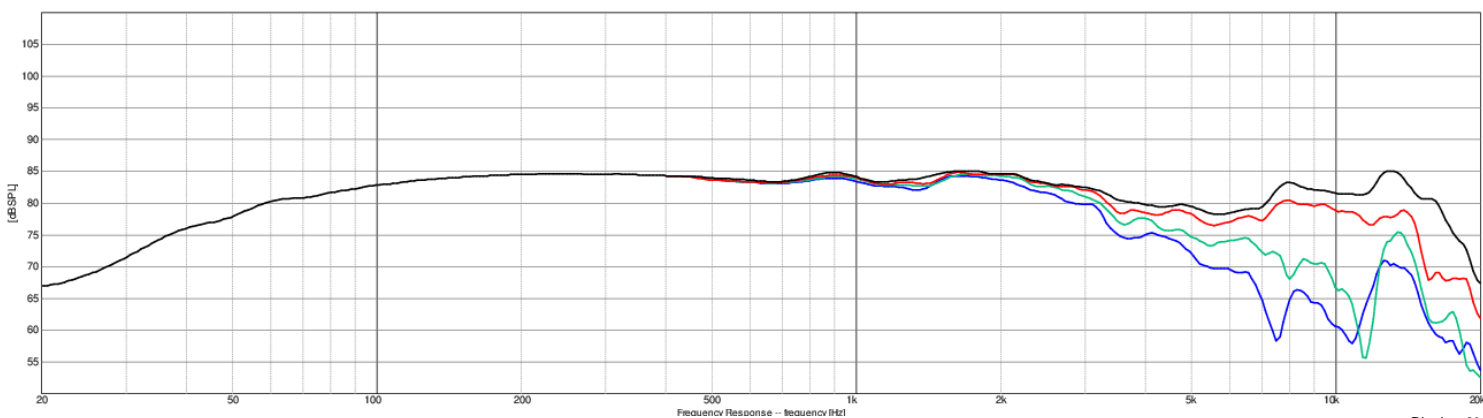
## FEATURES

- Great looking and sounding woofer
- Cosmetic stamped steel frame
- Flat frequency response in passband region
- Impressive output capabilities when used in MTM designs
- Very low distortion

## IMPEDANCE/PHASE



## FREQUENCY RESPONSE



Note: 1/24<sup>th</sup> octave smoothing - nearfield response included in graph below 450 Hz.

Black = 0°  
 Red = 15°  
 Green = 30°  
 Blue = 45°