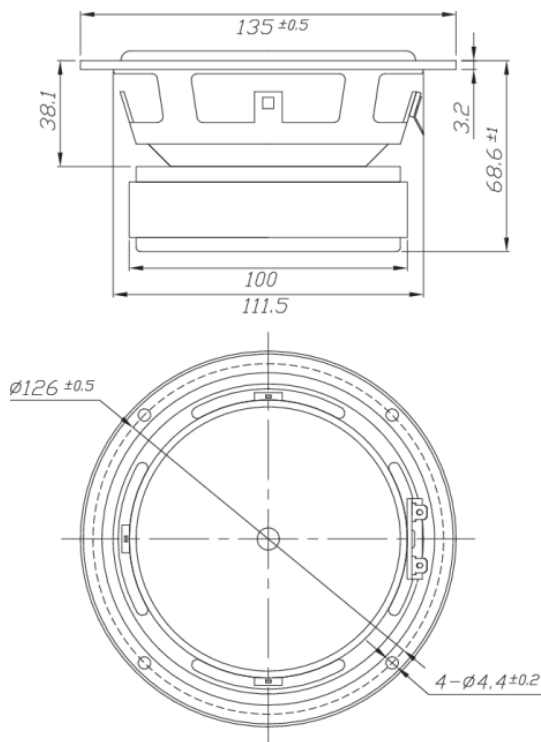




DS135-8 5" Designer Series Woofer Speaker 8 Ohm

DS135-8



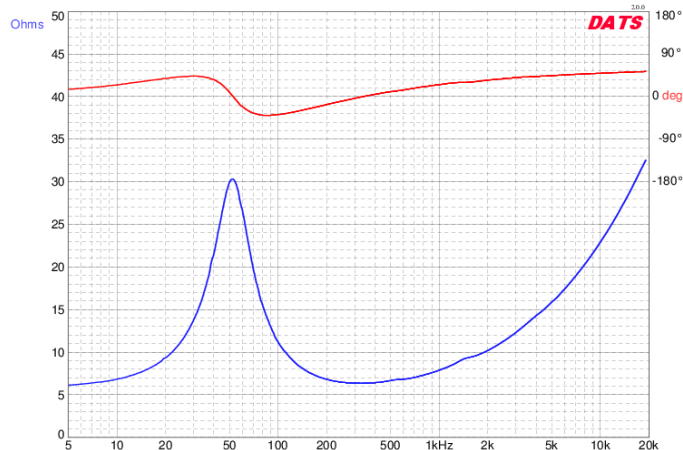
PARAMETERS

| | |
|-----------------------------|----------------------|
| Impedance | 8 ohms |
| Re | 5.9 ohms |
| Le | 0.84 mH @ 1 kHz |
| Fs | 52.5 Hz |
| Qms | 2.02 |
| Qes | 0.48 |
| Qts | 0.39 |
| Mms | 9.7g |
| Cms | 0.95 mm/N |
| Sd | 75.4 cm ² |
| Vd | 36.6 cm ³ |
| BL | 6.23 Tm |
| Vas | 7.27 liters |
| Xmax | 4.85 mm |
| VC Diameter | 25.4 mm |
| SPL | 86.6 dB @ 2.83V/1m |
| RMS Power Handling | 50 watts |
| Usable Frequency Range (Hz) | 50 - 7,000 Hz |

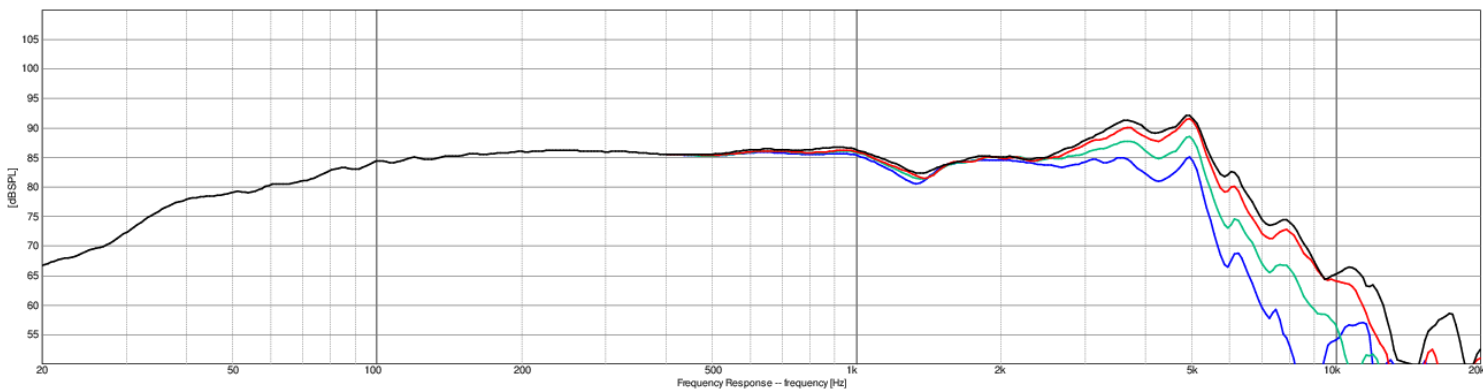
FEATURES

- Cosmetic frame with low profile lip, designed for front mounting—no countersinking required!
- Coated paper cone, half roll rubber surround for durability and accurate reproduction
- Optimized to yield a low 3 dB down point and high potential output in a reasonably sized cabinet
- Smooth frequency response and linear roll-off simplify filter design, guaranteeing good results with off-the-shelf crossovers
- Vented pole piece for minimized power compression and maximized reliability
- Retains the same "family look" as the popular Dayton Audio DVC Series subwoofers and passive radiators
- Generous Xmax capability encourages use of moderate bass boost to tailor the response

IMPEDANCE/PHASE



FREQUENCY RESPONSE



Note: 1/24th octave smoothing - nearfield response included in graph below 450 Hz.

Black = 0°
Red = 15°
Green = 30°
Blue = 45°