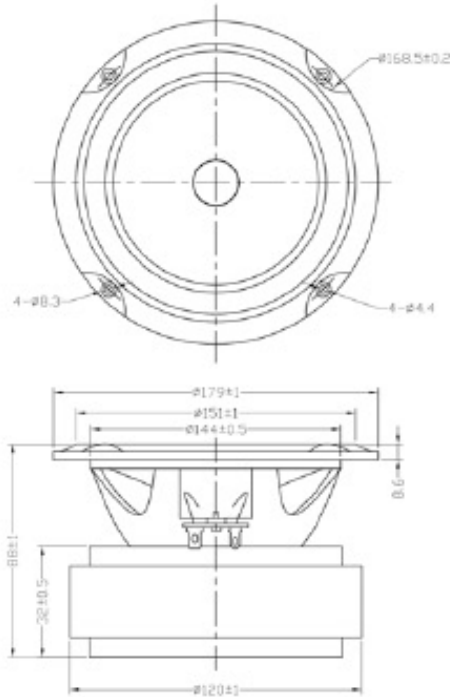


Full Range



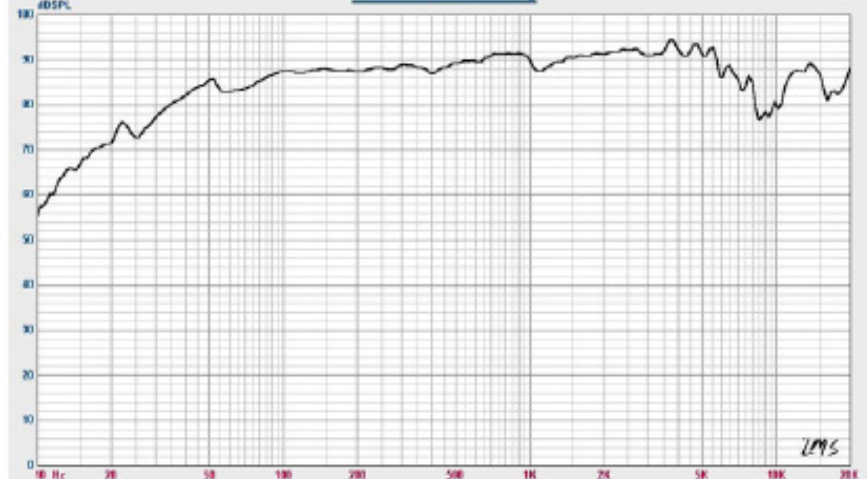
MODEL: FR179B8-18F



Specifications & Thiele/Small Parameter

Impedance	: 8 Ohm
Minimum Frequency Response	: 45 Hz
Reproduction Frequency Response	: Fo~20K
S.P.L.	: 87.596 dB/W(m)
Rated Input	: 30 W
Music Power	: 45 W
Equivalent Diagram Radius	: 63 mm
Equivalent Mass	: 11.386g
Magnet Weight	: 700g
Net Weight	: 2250g
Fs	: 45.727Hz
Re	: 7.2 Ohm
Mms	: 12.229 g
BL	: 6.498TM
Qts	: 0.482
Qms	: 2.465
Qes	: 0.599
Vas	: 23.41 Ltr
Xmax	: 2.4 mm
no	: 0.361%
Frame	: Cast
Cone	: Wooden / Wooden
Surround	: Rubber
Damper	: CONEX (4Hole)
VC DIA	: $\Phi 35.5$ ASV 0.21 CCAW
Magnet	: $\Phi 120 \times \Phi 70 \times 20$ Y30 $\Phi 27.5 \times \Phi 12 \times 5$ N35
Short Ring	: Cu Cap
Center Cap	: AL Phase Plug (Glod)

SPL vs Freq



Impedance vs Freq

