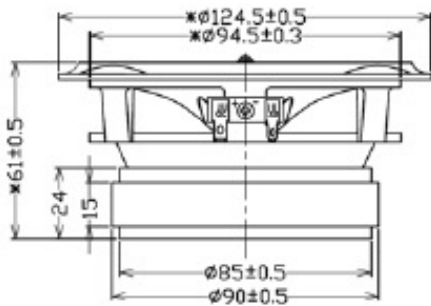
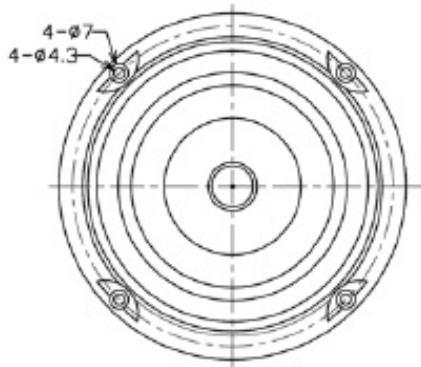


## Full Range



## Specifications &

### Thiele/Small Parameter

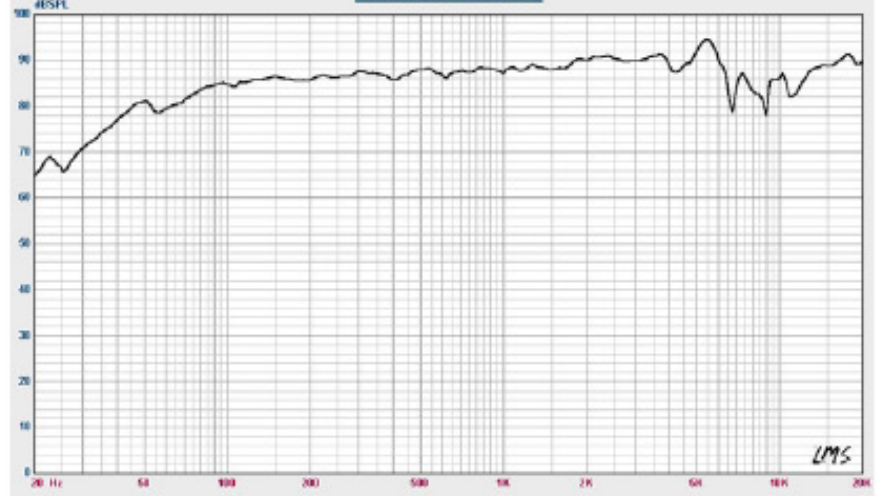
Impedance	: 8 Ohm
Minimum Frequency Response	: 71 Hz
Reproduction Frequency Response	: Fo~20K
S.P.L.	: 87.549 dB/W(m)
Rated Input	: 15 W
Music Power	: 20W
Equivalent Diagram Radius	: 42 mm
Equivalent Mass	: 5.162g
Magnet Weight	: 400g
Net Weight	: 950g
Fs	: 71.961Hz
Re	: 7.2 Ohm
Mms	: 5.485 g
BL	: 5.498TM
Qts	: 0.542
Qms	: 6.639
Qes	: 0.591
Vas	: 5.856 Ltr
Xmax	: 1.9 mm
no	: 0.357%
Frame	: Cast
Cone	: Wooden / Wooden
Surround	: Rubber
Damper	: CONEX (4Hole)
VC DIA	: Φ25.5 KSV 0.17 CCAW
Magnet	: Φ90×Φ40×15 Y30
Short Ring	: Cu Ring
Center Cap	: AL Phase Plug (Glod)



## MODEL: FR124B8-19F



### SPL vs Freq



### Impedance vs Freq

