

[Home](#)  
[Newsletter](#)  
[Contact us](#)  
[How to buy](#)  
[OEM systems](#)



## WF146WA01/02 5 $\frac{3}{4}$ " paper cone mid/woofer, 4/8 ohm

Nominal impedance is 4 ohm for WF146WA01 and 8 ohm for WF146WA02. Otherwise the two models are identical.

WF146WA01/02 are mid/woofers designed for demanding bass and midrange applications. It works equally well for high-end hi-fi, high quality home theater systems, and top multimedia setups. Powered by a large 90mm magnet structure that ensures good efficiency and optimal T/S parameters.

The large 32mm voice coil ensures high power handling - thermally and mechanically

The optimized paper cone ensures large bandwidth and low distortion. Distortion is further reduced by efficient venting and an alu shorting ring stabilizing the magnetic field in the air gap.

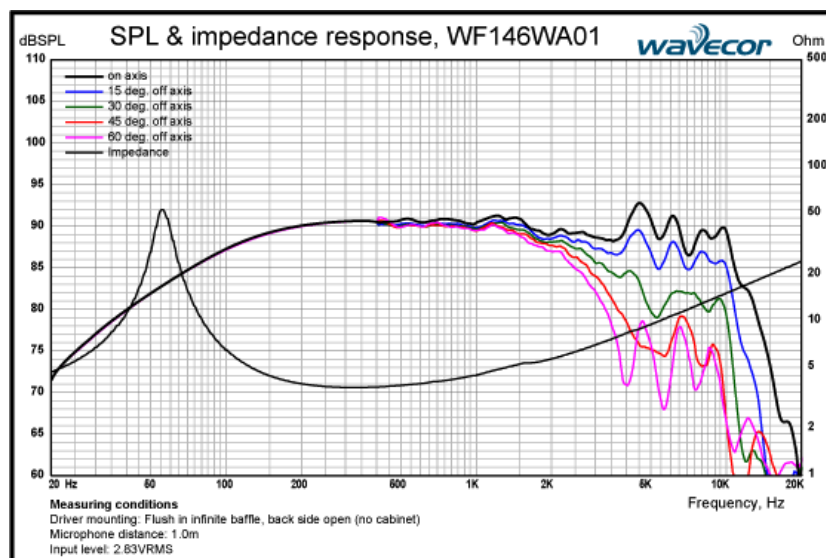
WF146WA01/02 are very good choices for compact 2-way speaker systems or even as midrange in multi-way systems.



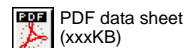
### FEATURES

- Alu field-stabilizing ring inside magnet assembly for reduced high-level distortion
- Vented voice coil former for reduced distortion and compression
- New vented chassis for lower air flow speed reducing audible distortion
- Heavy-duty black fiber glass voice coil bobbin to increase power handling and reduce mechanical losses resulting in better dynamic performance and low-level details
- Large motor system with 1 $\frac{1}{4}$ " voice coil diameter and 90mm magnet for better control and efficiency
- Black magnet parts for better heat transfer to increase power handling
- Long linear stroke motor for reduced distortion at high levels
- New progressive suspension with specially designed CONEX damper (spider) for long durability under extreme operating conditions
- Gold plated terminals to prevent oxidation for long-term reliable connection

### FREQUENCY RESPONSE



### MORE INFO

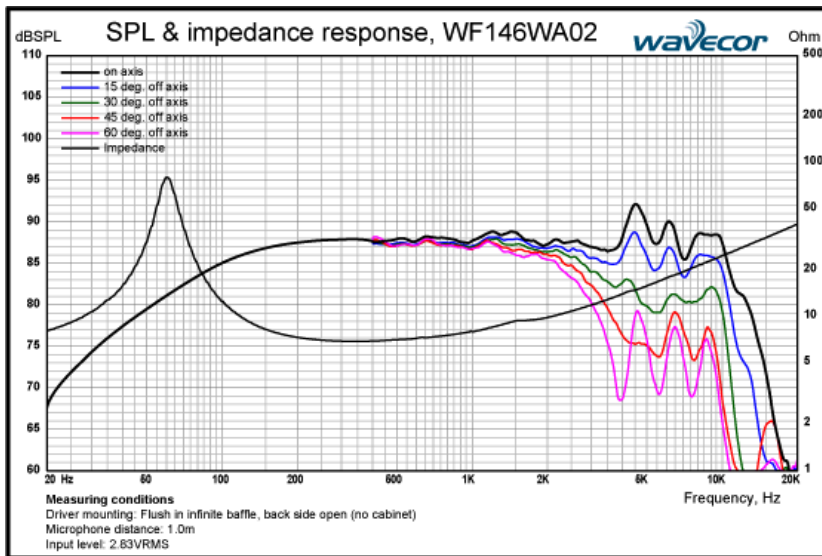


PDF data sheet  
(xxxKB)

[Specifications in electronic formats](#)

[List of all mid/woofers](#)

[All Wavecor drive units](#)

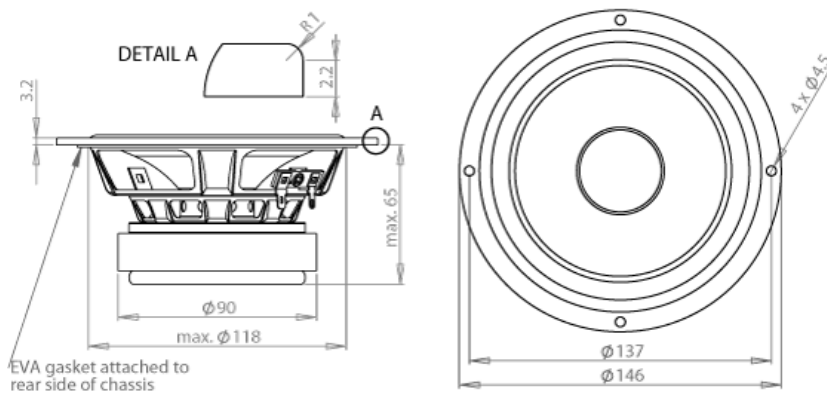


**NOMINAL SPECIFICATIONS (preliminary)**

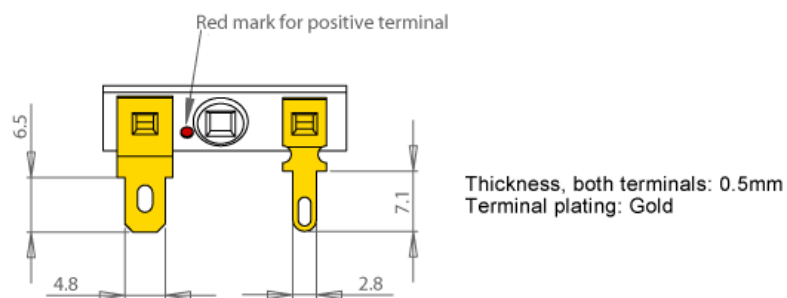
Parameter	Value WF146WA01 / WF146WA02
Nominal size	5 3/4 [inch.]
Nominal impedance	4 / 8 [ohm]
Recommended upper frequency limit	3.5 [kHz]
Recommended cabinet volume	5-8 / 6-9 [lit.]
Sensitivity, 2.83V/1m, (average 300-3,500Hz)	90 / 87.5 [dB]
Voice coil diameter	32.5 [mm]
Voice coil height	11 [mm]
Air gap height	5 [mm]
Voice coil resistance, R <sub>DC</sub>	3.2 / 6.3 [ohm]
Voice coil inductance	0.20 / 0.32 [mH]
Magnet weight	400 [g]
Effective radiating area, S <sub>d</sub>	95 [sq.cm]
Power handling, continuous, IEC 268-5	55 [W]
Resonance freq., F <sub>s</sub>	57.5 / 60 [Hz]
Moving mass, incl. air	10.4 / 9.7 [g]
Force factor, BxI	5.2 / 6.4 [Tm]
Mechanical Q, Q <sub>m</sub>	7.0 -
Electrical Q, Q <sub>e</sub>	0.44 / 0.56 -
Total Q, Q <sub>t</sub>	0.41 / 0.52 -
Suspension compliance, C <sub>ms</sub>	0.74 [mm/N]
Equiv. air volume, V <sub>as</sub>	9.4 [lit.]
Total unit net weight	1.03 [kg]

*Specifications are before burn-in*

**OUTLINE DRAWING AND NOMINAL DIMENSIONS (mm)**



**TERMINAL NOMINAL DIMENSIONS (mm)**



#### PACKAGING AND ORDERING INFORMATION

Part no. WF146WA01-01	4 ohm version, individual packaging (one piece per box)
Part no. WF146WA01-02	4 ohm version, bulk packaging
Part no. WF146WA02-01	8 ohm version, individual packaging (one piece per box)
Part no. WF146WA02-02	8 ohm version, bulk packaging

Specifications are subject to change without any further notice.  
Copyright © 2006-2008 by Wavecor Ltd., Guangzhou, China. All rights reserved.