

- Home
- Newsletter
- Contact us
- How to buy
- OEM systems



TW030WA05 to 08 30mm chambered textile tweeter, 4/8 ohm

These four tweeter models use same basic design but differ as follows:

TW030WA05: 4 ohm, no ferro fluid

TW030WA06: 4 ohm, with ferro fluid

TW030WA07: 8 ohm, no ferro fluid

TW030WA08: 8 ohm, with ferro fluid

Real high-end tweeter design with extremely low resonance frequency and distortion.

Thanks to the extensive internal venting between three internal cavities no air inside is trapped. The result is clearly audible as unheard-of undistorted sound. This feature extends the usable frequency range downwards to an extend very rarely found for any tweeter.

Combined with high power handling this tweeter is the natural candidate for high-end 2-way speaker systems.



MORE INFO



PDF data sheet
(xxxKB)

Exploded view
(770KB PNG)

[Cross section view](#)
(1.79MB PNG)

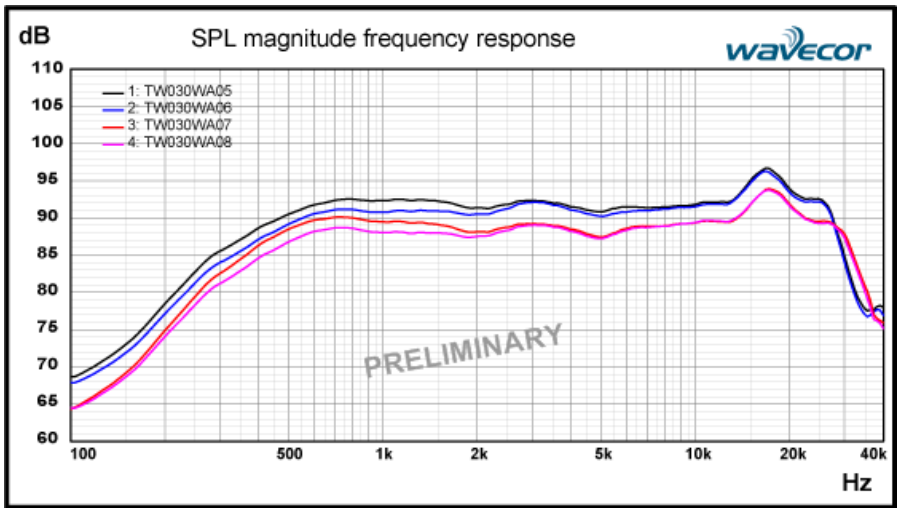
[List of all tweeters](#)

[All Wavecor drivers](#)

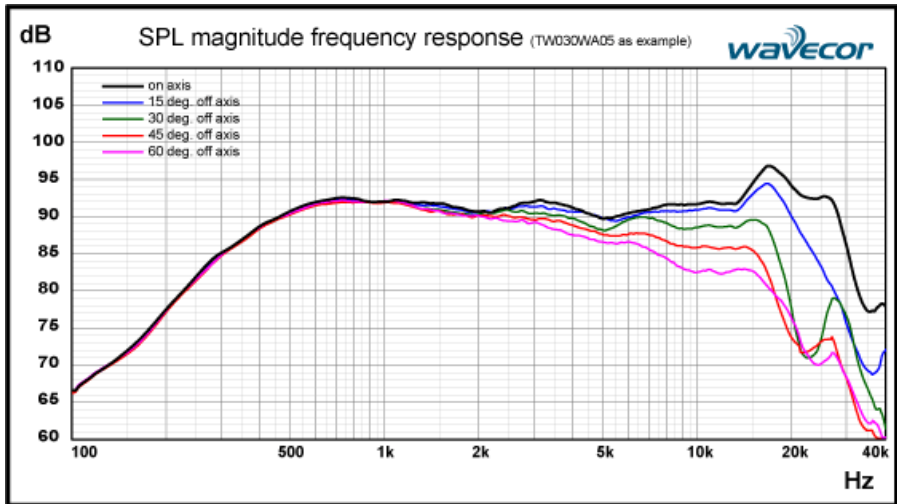
FEATURES

- Precision-coated textile diaphragm for improved consistency and high-frequency extension
- Extreme internal venting through pole, voice coil former, and top plate to 3 internal chambers
- Copper-clad aluminium voice coil wire offering lower moving mass for improved efficiency and transient response
- Reflection-free rear chamber design with solid reinforcement ribs
- Large ferrite magnet for improved efficiency and transient response
- With or without high-stability light ferro fluid
- Flexible lead wires for higher power handling and larger excursion
- Black anodized magnet structure for increased power handling and reduced power compression
- Gold plated terminals to prevent oxidation for long-term reliable connection
- Delivered with EVA gasket attached for hassle-free mounting and secure cabinet sealing

SPL FREQUENCY RESPONSE

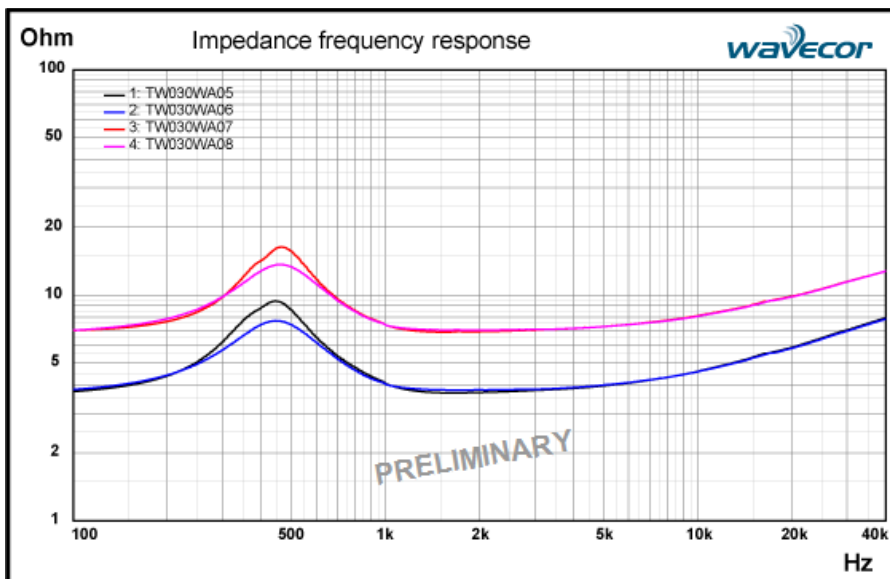


2.83V/1.0m, infinite baffle



2.83V/1.0m, infinite baffle

IMPEDANCE RESPONSE

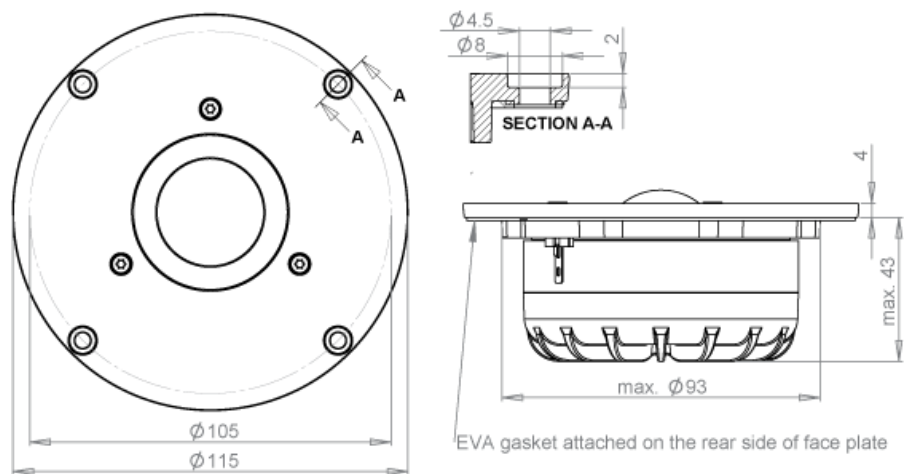


NOMINAL SPECIFICATIONS (preliminary)

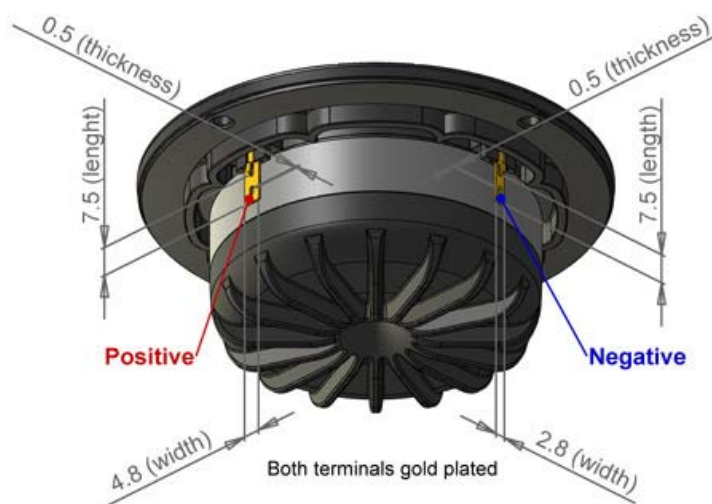
Parameter	TW030WA05	TW030WA06	TW030WA07	TW030WA08	
Nominal size	30				[mm]
Nominal impedance	4		8		[ohm]
Recommended freq. range	1.5-30				[kHz]
Sensitivity, 2.83V/1m, (average 1-20kHz)	91½	91	89	88½	[dB]
Voice coil diameter	30.4				[mm]
Voice coil height	1.7				[mm]
Air gap height	2.5				[mm]
Voice coil resistance, R _{DC}	3.2		6.3		[ohm]
Voice coil inductance	0.020		0.028		[mH]
Magnet weight	260				[g]
Effective radiating area, S _d	11.0				[sq.cm]
Power handling, continuous, IEC 268-5, 2.0kHz@12dB/oct.	50	60	50	60	[W]
Resonance freq., F _s	450	450	450	450	[Hz]
Moving mass, incl. air (free air, no baffle)	0.49	0.49	0.49	0.49	[g]
Force factor, B _{xl}	2.1	2.1	2.5	2.5	[Tm]
Mechanical Q, Q _m	1.8	1.4	2.1	1.5	-
Electrical Q, Q _e	1.0	1.0	1.4	1.4	-
Total Q, Q _t	0.65	0.59	0.84	0.72	-
Suspension compliance, C _{ms}	0.26	0.26	0.26	0.26	[mm/N]
Equiv. air volume, V _{as}	0.044	0.044	0.044	0.044	[lit.]
Total unit net weight	0.59				[kg]
K _{rm} (note 1)	100	152	67	64	[μohm]
E _{rm} (note 1)	0.85	0.82	0.91	0.92	-
K _{xm} (note 1)	3.3	2.8	5.1	4.3	[mH]
E _{xm} (note 1)	0.56	0.56	0.56	0.56	-

Note 1: Constants according to the LEAP-4 (.TSL) model, www.linearx.com
 Specifications are before burn-in

OUTLINE DRAWING AND NOMINAL DIMENSIONS (mm)



CONNECTIONS (nominal dimensions, in mm)



PACKAGING AND ORDERING INFORMATION

Part no. TW030WA05-01	4 ohm, no ferro fluid	Individual packaging (one piece per box)
Part no. TW030WA05-02	4 ohm, no ferro fluid	Bulk packaging
Part no. TW030WA06-01	4 ohm, with ferro fluid	Individual packaging (one piece per box)
Part no. TW030WA06-02	4 ohm, with ferro fluid	Bulk packaging
Part no. TW030WA07-01	8 ohm, no ferro fluid	Individual packaging (one piece per box)
Part no. TW030WA07-02	8 ohm, no ferro fluid	Bulk packaging
Part no. TW030WA08-01	8 ohm, with ferro fluid	Individual packaging (one piece per box)
Part no. TW030WA08-02	8 ohm, with ferro fluid	Bulk packaging

Specifications are subject to change without any further notice.
Copyright © 2006-2008 by Wavecor Ltd., Guangzhou, China. All rights reserved.