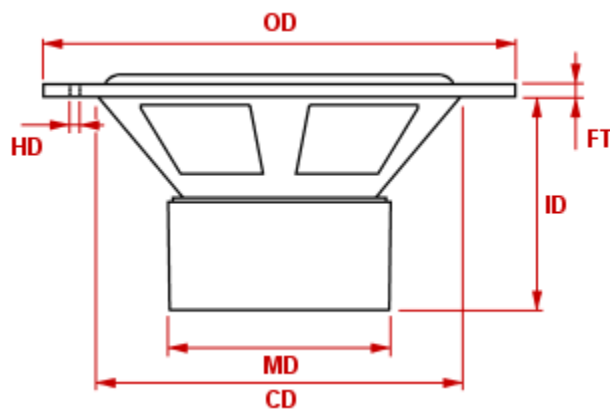




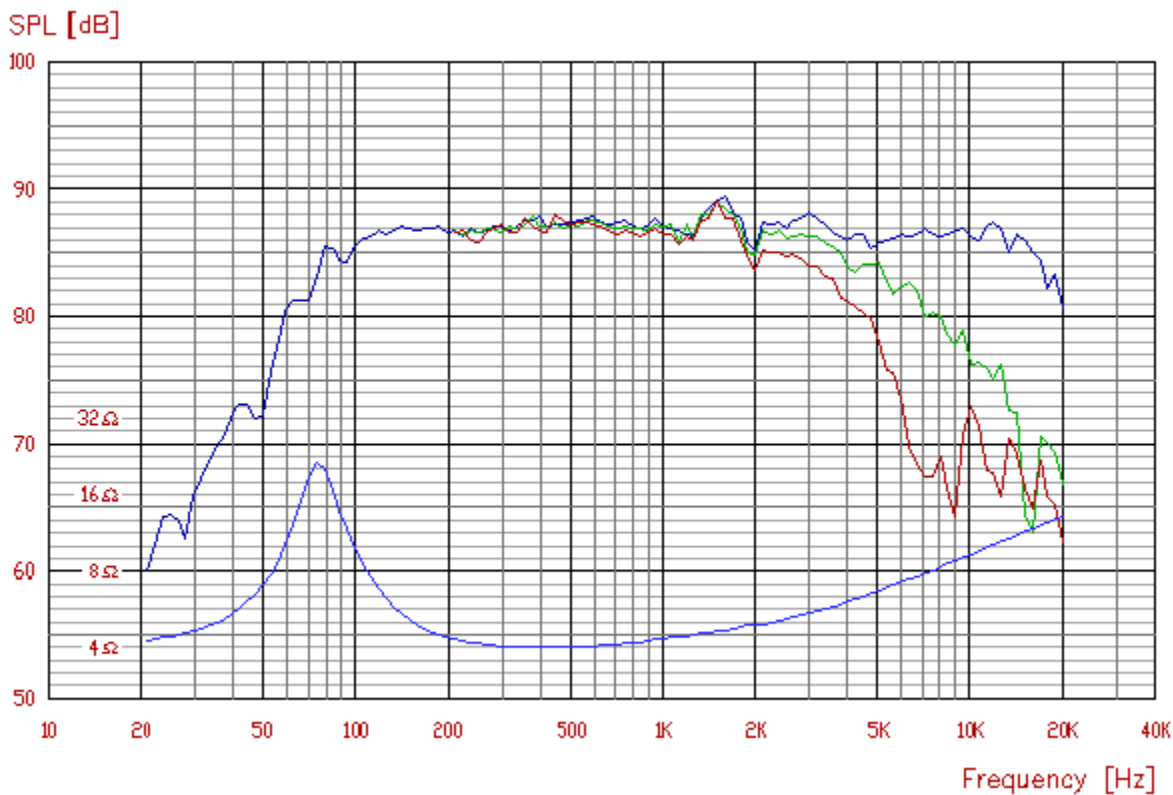
vifa

MG10SD09-04

Nominal impedance [ohm]	4
Voice coil resistance [ohm]	3.0
Nominal power [W]	-
Short term max power [W]	-
Long term max power [W]	-
Operating power [W]	-
Sensitivity [dB]	87.5
Frequency range [kHz]	0.1-15
Free air resonance [Hz]	84
Voice coil diameter [mm]	20
Voice coil height [mm]	5.1
Air gap height [mm]	3.8
Voice coil inductance [mH]	0.22
Eff. diaphragm Area [cm ²]	38
Moving mass [g]	3.2
Magnet weight [g]/[oz]	210/7.4
Force factor [Bl]	2.78
VAS [l]	2.3
Q _{ms}	3.59
Q _{es}	0.66
Q _{ts}	0.55



OD: 104 mm	CD: 81 mm
FT: 4 mm	ID: 45 mm
MD: 68.5 mm	HD: -



Frequency response: 2.83V / 1m