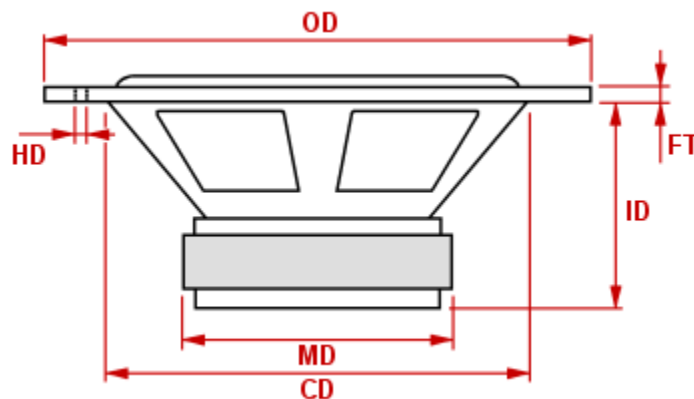




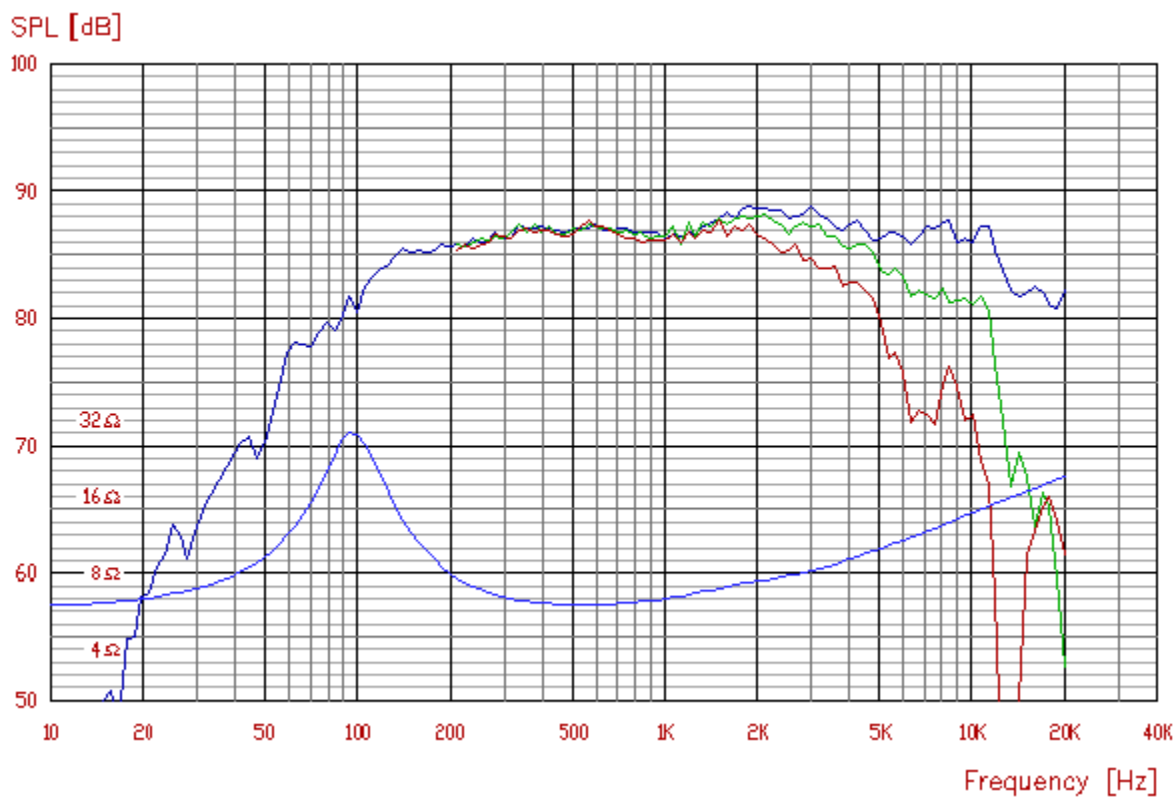
vifa

M10MD-39-08

Nominal impedance [ohm]	8
Voice coil resistance [ohm]	5.4
Nominal power [W]	80
Short term max power [W]	-
Long term max power [W]	-
Operating power [W]	6.3
Sensitivity [dB]	88
Frequency range [kHz]	0.3-8
Free air resonance [Hz]	110
Voice coil diameter [mm]	20
Voice coil height [mm]	5.3
Air gap height [mm]	4
Voice coil inductance [mH]	-
Eff. diaphragm Area [cm ²]	37
Moving mass [g]	2.9
Magnet weight [g]/[oz]	210/7.4
Force factor [BI]	4.1
VAS [l]	-
Qms	-
Qes	-
Qts	-



OD:	104 mm	CD:	81.2 mm
FT:	4 mm	ID:	45 mm
MD:	62 mm	HD:	4xø5@ø95



Frequency response: 2.83V / 1m