

Revelator 5 1/4" Midwoofer



Type Number: 15W/8530K00

Features:

The Revelator series has for years been celebrated for producing the best sounding electro dynamic transducers in the world. Since ScanSpeak was founded in 1970, the audio engineers and R&D experts working on the line have been on a quest to create drivers that reveal all the sound in recordings, hiding nothing from the listener. This quest has resulted in several revolutionary inventions that remove distortion in the magnet systems and in the moving parts of the speaker. The philosophy is that the sound has to be very dynamic, giving a perfect transient response and providing tonal balance.

One of the latest inventions realized in the Revelator midrange design is the sliced paper cone, which reduces break-up modes in the membrane dramatically. The result is an undisputed clarity in sound.

Driver Highlights: Low loss linear suspension, sliced paper cone, SD-1 motor



Specs:

Electrical Data

Nominal impedance	Zn	8	ohm
Minimum impedance	Zmin	--	ohm
Maximum impedance	Zo	--	ohm
DC resistance	Re	5.8	ohm
Voice coil inductance	Le	0.35	mH

T-S Parameters

Resonance Frequency	fs	30	Hz
Mechanical Q factor	Qms	4.9	
Electrical Q factor	Qes	0.29	
Total Q factor	Qts	0.27	
Ratio fs/Qts	F	--	
Force factor	Bl	7	Tm
Mechanical resistance	Rms	0.5	Kg/s
Moving mass	Mms	13	g
Suspension compliance	Cms	--	mm/N
Effective cone diameter	D	--	cm
Effective piston area	Sd	95	cm ²
Equivalent volume	Vas	28	ltrs
Sensitivity		85.5	dB
Ratio BL/√(Re)		--	

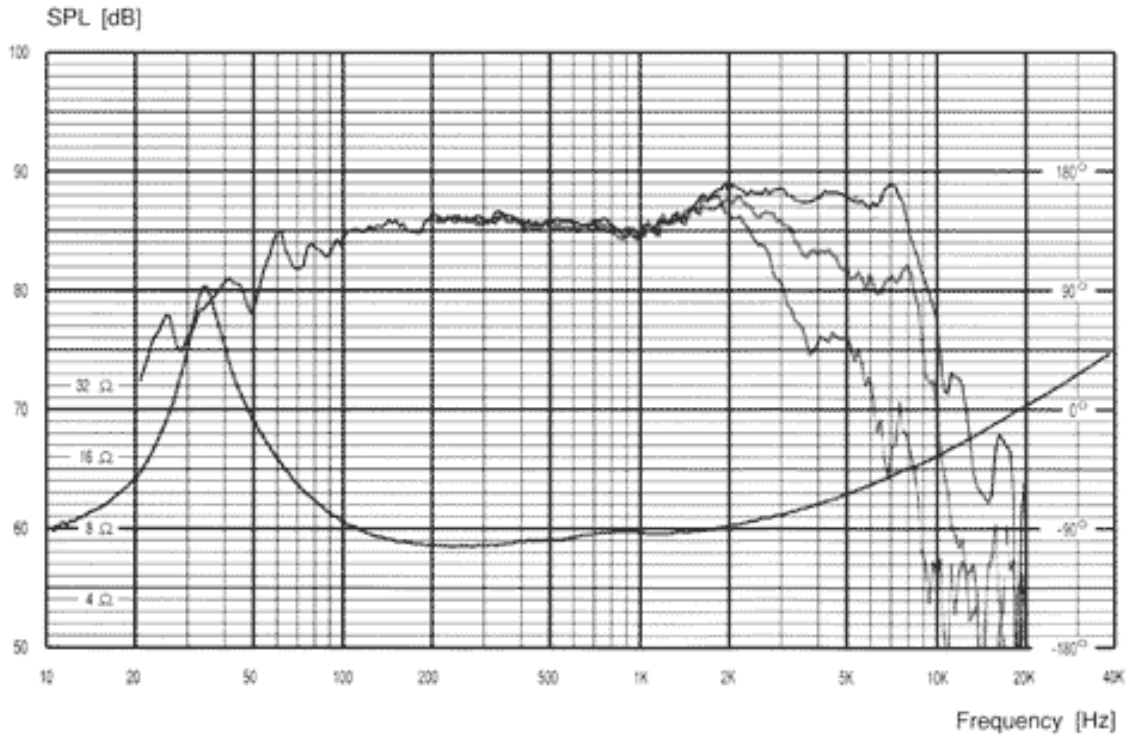
Power handling

100h RMS noise test (IEC)	60	W
Long-term Max System Power (IEC)	--	W
Max linear SPL (rms) @ power	--	dB/W
Short Term Max power	--	W

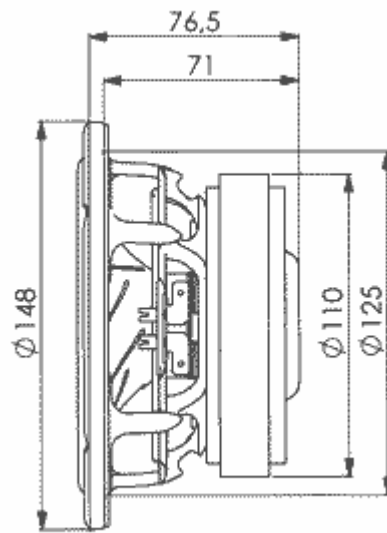
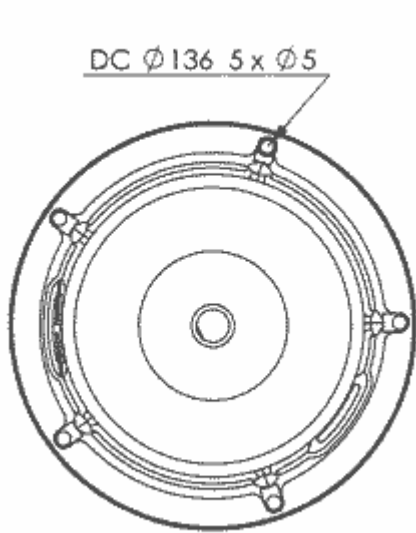
Voice Coil and Magnet Parameters

Voice coil diameter	38	mm
Voice coil height	--	mm
Voice coil layers	--	
Height of the gap	--	mm
Linear excursion +/-	6.5	mm
Max mech. excursion +/-	9	mm
Flux density of gap	--	mWb
Total useful flux	--	mWb
Diameter of magnet	--	mm
Height of magnet	--	mm
Weight of magnet	--	Kg

Frequency:



Mechanical Dimensions:



Drawing Dimensions

Outside Diameter	OD	148	mm
Flange Thickness	FT	--	mm
Magnet Diameter	MD	110	mm
Cutout Diameter	CD	125	mm
Interior Depth	ID	71	mm
Hole Diameter	HD	5	mm
Screw Circle Diameter	SD	136	mm