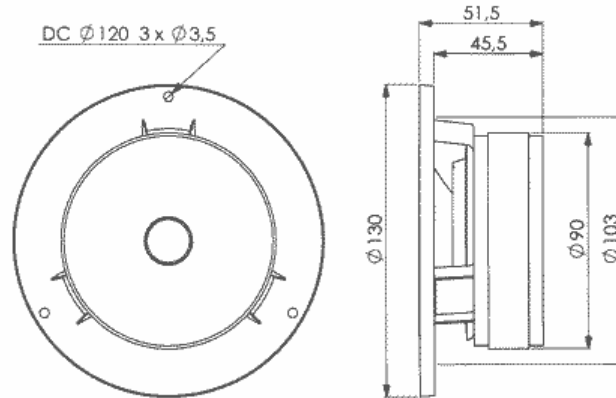
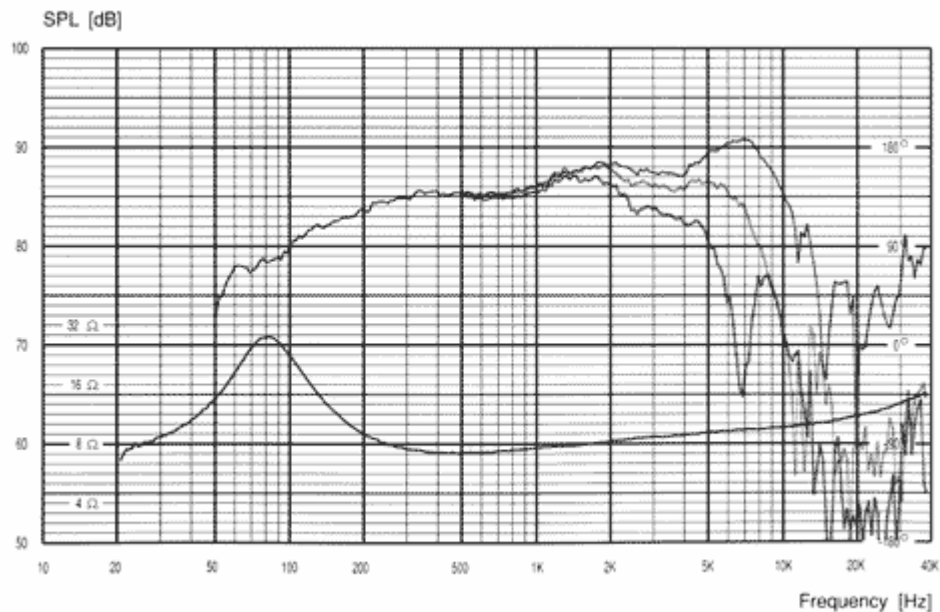




# 13M/8636-00



Characteristic sensitivity (2.83V / 1m)	: 86.5 dB
Recommended frequency range	: 300 - 8000 Hz
Free air resonance frequency, $f_s$	: 77 Hz
DC resistance, $R_e$	: 5.8 ohm
Voice coil inductance, $L_e$	: 0.1 mH
Effective piston area, $S_d$	: 48 cm <sup>2</sup>
Moving mass incl. air, $m_d$	: 4.6 g
Mechanical loss, $R_m$	: 0.8 Ns/m
Force factor, $BL$	: 6.0 Tm
Equivalent volume, $V_{as}$	: 3 ltr.
Mechanical Q-factor, $Q_{ms}$	: 2.8
Electrical Q-factor, $Q_{es}$	: 0.36
Total Q-factor, $Q_{ts}$	: 0.32
Excursion, lin./max.	: $\pm 1.5 / \pm 5$ mm
Voice coil diameter	: 38 mm
Rated power handling	: 100 W (12 dB/oct. cross-over at 300 Hz)
Net weight	: 1.2 kg



**Frequency response: 2.83V / 1m**