

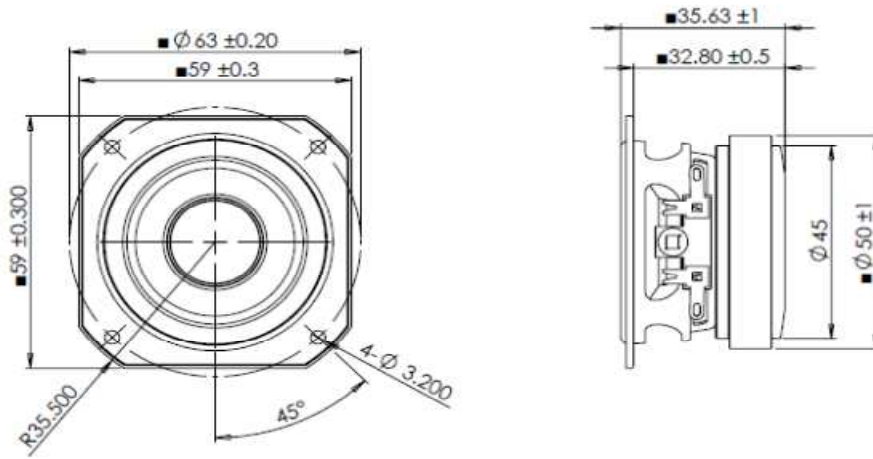


**Product Description:**

This 2inch 4ohm member of the new TA family sets a high standard for compact full range drivers, intended for applications such as television soundbars and other compact applications in mind. Design features in this family include a stiff steel basket with venting under the spider to aid cooling of the motor, a ferrite magnet motor with copper cap to lower coil inductance, providing low distortion at low frequencies and extended high frequency response. A black anodized aluminium cone and a black anodized aluminium dust cap are employed on the driver, coupled directly to the voice coil.



**Mechanical 2D Drawing:**



**Specifications:**

DC Resistance	$R_{evc}$	$\Omega$	3.4	$\pm 7.5\%$	Energy Bandwidth Product	EBP	$(1/Q_{es}) \cdot f_s$	123
Minimum Impedance	$Z_{min}$	$\Omega$	4.2	$\pm 7.5\%$	Moving Mass	$M_{ms}$	g	1.43
Voice Coil Inductance	$L_e$	mH	0.02		Suspension Compliance	$C_{ms}$	um/N	907.7
Resonant Frequency	$f_s$	Hz	140	$\pm 15\%$	Effective Cone Diameter	D	cm	4.4
Mechanical Q Factor	$Q_{ms}$	-	2.9		Effective Piston Area	$S_p$	cm <sup>2</sup>	15.2
Electrical Q Factor	$Q_{es}$	-	1.14		Equivalent Volume	$V_{as}$	L	0.295
Total Q Factor	$Q_{ts}$	-	0.82		Motor Force Factor	BL	T-m	1.93
Ratio $f_s / Q_{es}$	F	$f_s / Q_{es}$	171		Motor Efficiency Factor	$\beta$	$(T \cdot m^2) / \Omega$	1.10
Half Space Sensitivity @ 2.83V	dB@2.83V/1m	dB	83.9	$\pm 1.0^1$	Voice Coil Former Material	$VC_m$	-	ASV
Sensitivity @ 1W/1m	1W/1m	dB	80.1	$\pm 1.0^1$	Voice Coil Inner Diameter	$VC_d$	mm	19.3
Rated Noise Power (IEC 2685 18.1)	P	W	10		Gap Height	Gh	mm	3.0
Test Spectrum Bandwidth	100Hz-20KHz	12 dB/Oct			Maximum Linear Excursion	$X_{max}$	mm	1.0
					Ferrofluid Type	FF	N/A	
					Transducer Size	-	inch	2.0
					Transducer Mass	-	Kg	0.2

1 - Piston Band Sensitivity Tolerance

**Frequency and Impedance Response:**

