

## HDS Nomex 8" Woofer



Type Number: 830869

### Features:

The High Definition Sound (HDS) NOMEX Series offers high-quality solutions for both multi-way speaker systems and vented box applications. Featuring "shorting rings" for low distortion and coils offering perfect linear compatibility with NOMEX cones, these audio transducers are characterized by their very open, very rich sound character.

See architecture notes for [HDS Platform](#)

Driver Highlights: Nomex diaphragm, 33 mm coil, AL

See [Application Notes](#)

[Go to Application Notes.](#)

[Go to Architecture Notes](#)



### Specs:

#### Electrical Data

Nominal impedance	Zn	8	ohm
Minimum impedance	Zmin	6.6	ohm
Maximum impedance	Zo	87.9	ohm
DC resistance	Re	5.9	ohm
Voice coil inductance	Le	1.8	mH

#### T-S Parameters

Resonance Frequency	fs	30	Hz
Mechanical Q factor	Qms	5.7	
Electrical Q factor	Qes	0.41	
Total Q factor	Qts	0.38	
Force factor	Bl	9.1	Tm
Mechanical resistance	Rms	1.01	Kg/s
Moving mass	Mms	30.6	g
Suspension compliance	Cms	0.92	mm/N
Effective cone diameter	D	17.3	cm
Effective piston area	Sd	235	cm <sup>2</sup>
Equivalent volume	Vas	70.3	ltrs
Sensitivity (2.83V/1m)		89.7	dB
Ratio BL/√(Re)		3.8	
Ratio fs/Qts	F	79	

#### Power handling

100h RMS noise test (IEC)	--	W
Long-term Max Power (IEC 18.3)	--	W
Max linear SPL (rms) @ power	--	dB/W
Short Term Max power (IEC 18.2)	--	W

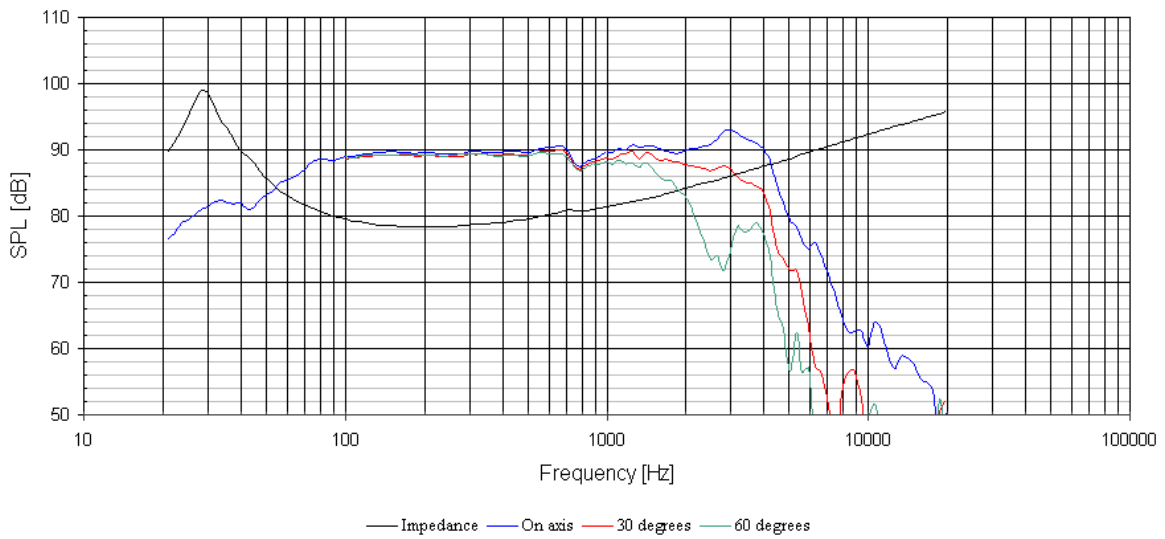
#### Voice Coil and Magnet Parameters

Voice coil diameter	33	mm
Voice coil height	17	mm
Voice coil layers	4	
Height of the gap	8	mm
Linear excursion +/-	4.5	mm
Max mech. excursion +/-	--	mm
Flux density of gap	--	mWb
Total useful flux	1	mWb
Diameter of magnet	102	mm
Height of magnet	20	mm
Weight of magnet	0.64	Kg

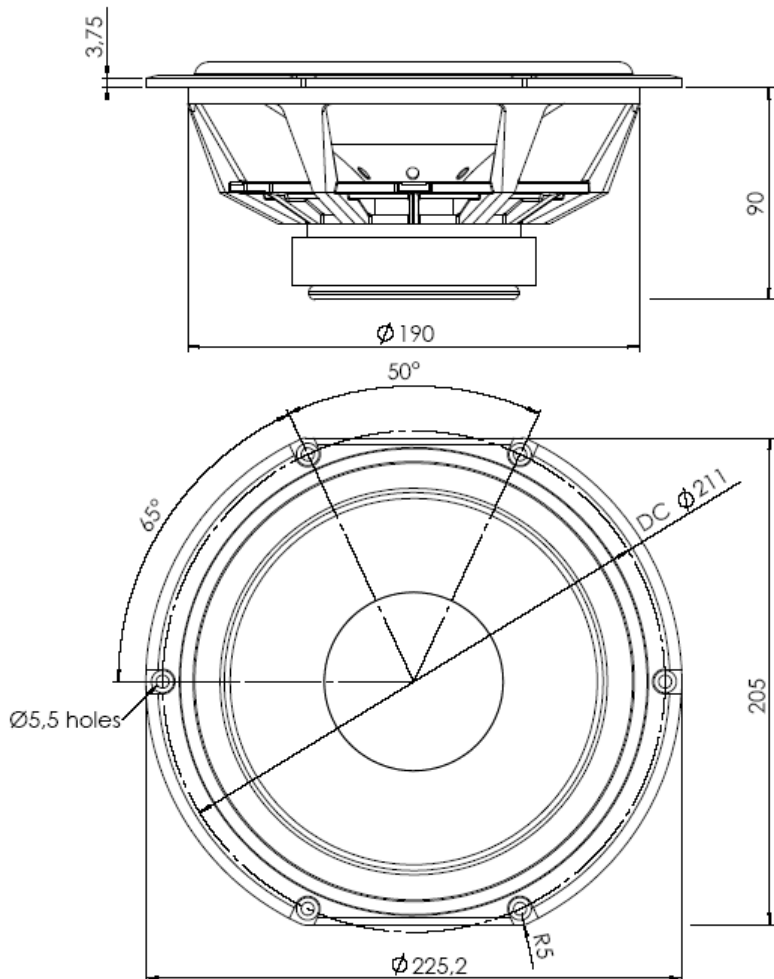
#### Notes:

IEC specs refer to IEC 60268-5 third edition.  
All Tymphany products are RoHS compliant.

**Frequency: 830869**



**Mechanical Dimensions:830869**



**Drawing Dimensions**

- Outside Diameter
- Flange Thickness
- Magnet Diameter
- Cutout Diameter
- Interior Depth
- Hole Diameter
- Screw Circle Diameter