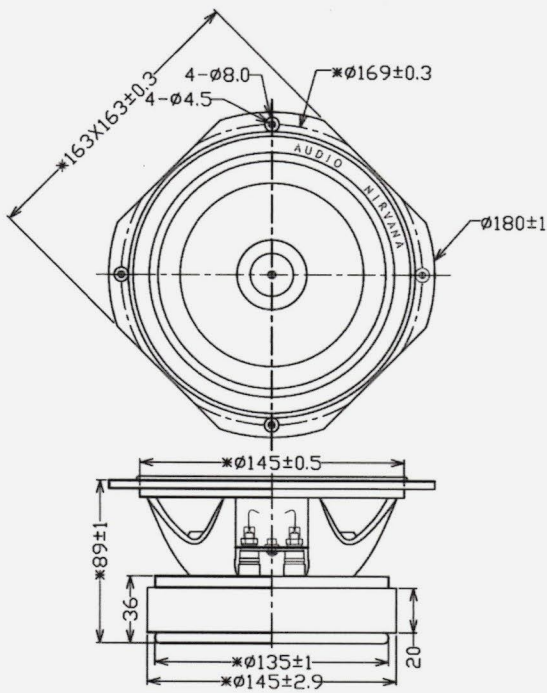


# Full Range Speaker Unit



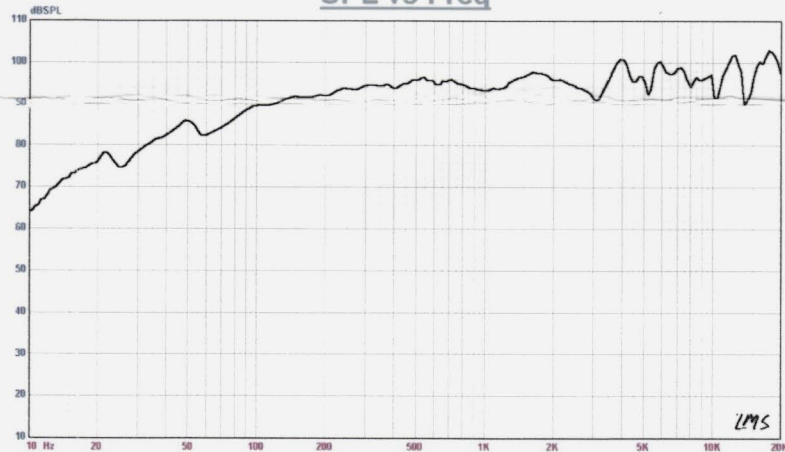
# Audio Nirvana Super 6.5 Ferrite



## Specifications & Thiele/Small Parameters

|                                 |   |
|---------------------------------|---|
| Impedance                       | : 8 Ohm                                   |
| Minimum Frequency Response      | : 48 Hz                                   |
| Reproduction Frequency Response | : Fo~20K                                  |
| S.P.L.                          | : 94.278dB/W(m)                           |
| Rated Input                     | : 30 W                                    |
| Music Power                     | : 50 W                                    |
| Equivalent Diaphragm Radius     | : 65 mm                                   |
| Equivalent Mass                 | : 10.56 g                                 |
| Magnet Weight                   | : 1455 g                                  |
| Net Weight                      | : 3650 g                                  |
| Fs                              | : 48.980 Hz                               |
| Re                              | : 7.20 Ohm                                |
| Mms                             | : 7.582 g                                 |
| BL                              | : 8.695 TM                                |
| Qts                             | : 0.210                                   |
| Qms                             | : 3.773                                   |
| Qes                             | : 0.222                                   |
| Vas                             | : 32.906 Ltr                              |
| Xmax                            | : 1.0 mm                                  |
| no                              | : 1.683%                                  |
| Frame                           | : CAST                                    |
| Cone & Sub                      | : PAPER                                   |
| Surround                        | : FABRIC                                  |
| Damper                          | : CONEX                                   |
| VC DIA                          | : $\phi 30$ KSV 0.19 CCAW                 |
| Magnet                          | : $\phi 145 \times \phi 50 \times 20$ Y30 |
| Short Ring                      | : Cu Cap                                  |
| Canter Cap                      | : AL Phase Plug (Glod)                    |

SPL vs Freq



Impedance vs Freq

