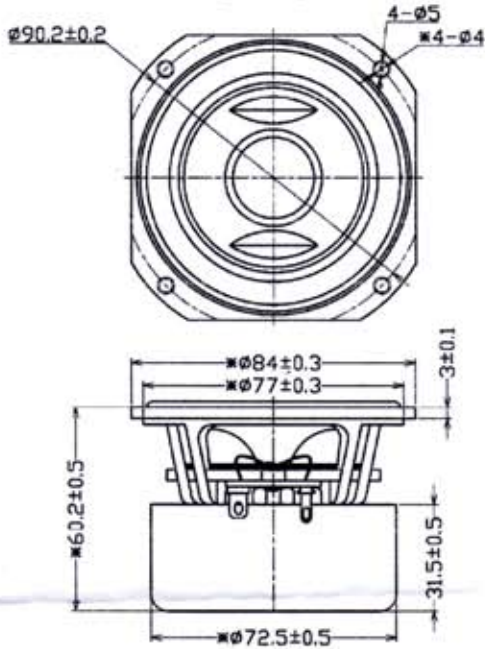


Full Range Speaker Unit



Audio Nirvana Horn 3 Ferrite



Specifications & Thiele/Small Parameters

Impedance	: 8 Ohm	
Minimum Frequency Response	: 154 Hz	
Reproduction Frequency Response	: Fo~20 KHz	
S.P.L.	: 85.5dB/W(m)	
Rated Input	: 15 W	
Music Power	: 25 W	
Equivalent Diagram Radius	: 34mm	
Equivalent Mass	: 2.4g	
Magnet Weight	: 200 g	
Net Weight	: 700 g	
Fs	: 154.9 Hz	
Re	: 6.8 Ohm	
Mms	: 2.7 g	
BL	: 4.0TM	
Qts	: 0.9	
Qms	: 4.15	
Qes	: 1.15	
Vas	: 0.7 Ltr	
Xmax	: 2.5 mm	
no	: 0.22%	
Material	Frame	: Cast
	Cone	: Paper (RCG)
	Surround	: Cloth
	Damper	: Conex+Cotton (4Hole)
	VC DIA	: $\Phi 25.5$ KSV 0.18 CCAW
	Magnet	: $\Phi 70 \times \Phi 32 \times 15$ Y30 : $\Phi 60 \times \Phi 32 \times 8$ Y30
Center Cap	: Coating Fabric Dust Cap	

