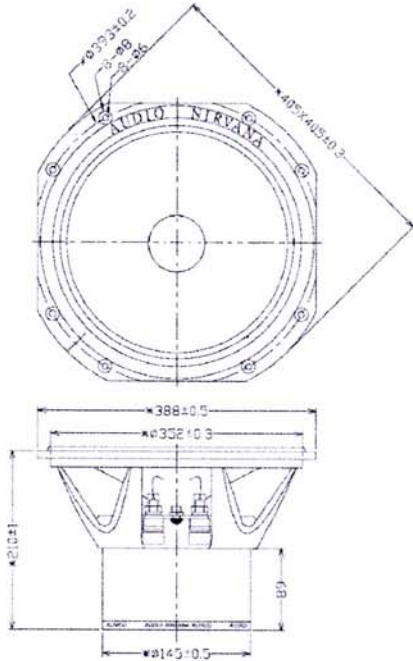


Full Range Speaker Unit



Audio Nirvana Classic 15" ALNICO



Specifications & Thiele/Small Parameters

| | | |
|---------------------------------|---------------------------|------------------------------|
| Impedance | : 8 Ohm | |
| Minimum Frequency Response | : 31 Hz | |
| Reproduction Frequency Response | : Fo~20K | |
| S.P.L. | : 92 dB/W(m) | |
| Rated Input | : 50 W | |
| Music Power | : 80 W | |
| Equivalent Diagram Radius | : 152mm | |
| Equivalent Mass | : 57.4g | |
| Magnet Weight | : 1050 g | |
| Net Weight | : 8400 g | |
| Fs | : 31.5 Hz | |
| Re | : 7.2 Ohm | |
| Mms | : 63.1 g | |
| BL | : 8.8TM | |
| Qts | : 0.98 | |
| Qms | : 6.31 | |
| Qes | : 1.16 | |
| Vas | : 384.2 Ltr | |
| Xmax | : 0.95 mm | |
| no | : 1.0% | |
| Material | Frame | : CAST |
| | Cone | : PAPER |
| | Surround | : FABRIC |
| | Damper | : CONEX |
| | VC DIA | : $\phi 49$ KSV 0.23 CCAW |
| | Magnet | : $\phi 60 \times 50$ AlNiCo |
| | Short Ring | : AL Ring+Cu Cap |
| Center Cap | : Coating Fabric Dust Cap | |

