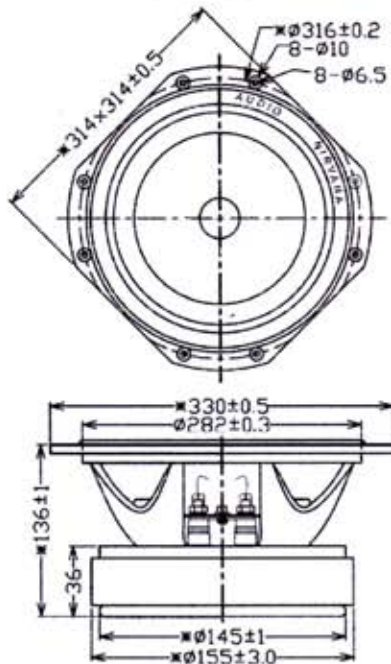


## Full Range Speaker Unit



## Audio Nirvana Classic 12" Cast Frame



## Specifications & Thiele/Small Parameters

Impedance	: 8 Ohm
Minimum Frequency Response	: 31 Hz
Reproduction Frequency Response	: F <sub>0</sub> ~20K
S.P.L.	: 95.8dB/W(m)
Rated Input	: 30W
Music Power	: 45 W
Equivalent Diagram Radius	: 136 mm
Equivalent Mass	: 28.5 g
Magnet Weight	: 1409 g
Net Weight	: 3948 g
F <sub>s</sub>	: 31 Hz
R <sub>e</sub>	: 7.2 Ohm
M <sub>ms</sub>	: 33.6 g
BL	: 11.3TM
Q <sub>ts</sub>	: 0.34
Q <sub>ms</sub>	: 5.09
Q <sub>es</sub>	: 0.37
V <sub>as</sub>	: 309.8 Ltr
X <sub>max</sub>	: 0.9 mm
no	: 2.41%
Material	
Frame	: CAST
Cone	: PAPER
Surround	: FABRIC
Damper	: CONEX
VC DIA	: $\phi 38$ KSV 0.21 CCAW
Magnet	: $\phi 156 \times \phi 80 \times 20$ Y30
Short Ring	: Cu Cap+ Al Piece
Center Cap	: Coating Fabric Dust Cap

