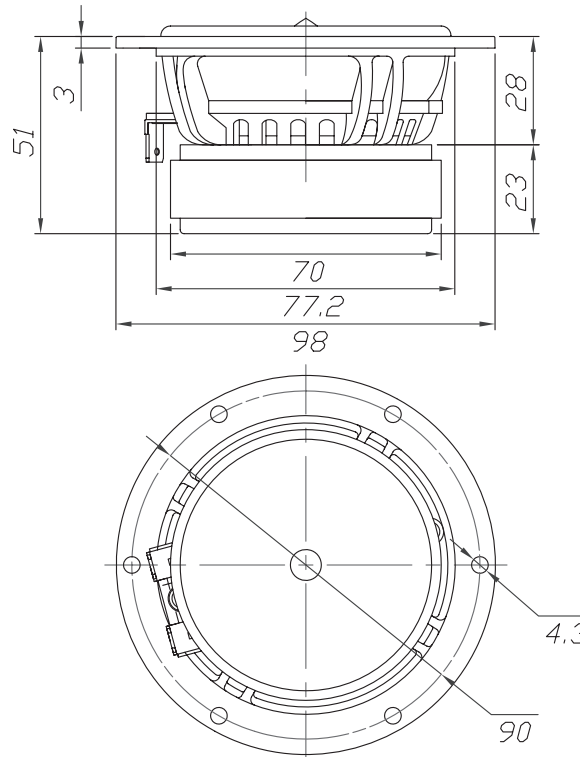


Features

- Lightweight black anodized aluminum cone
- 4 ohm nominal impedance
- Attractive 6-hole cast frame
- Advanced low distortion motor design
- Solid aluminum phase plug
- Rubber surround
- Full-range capability

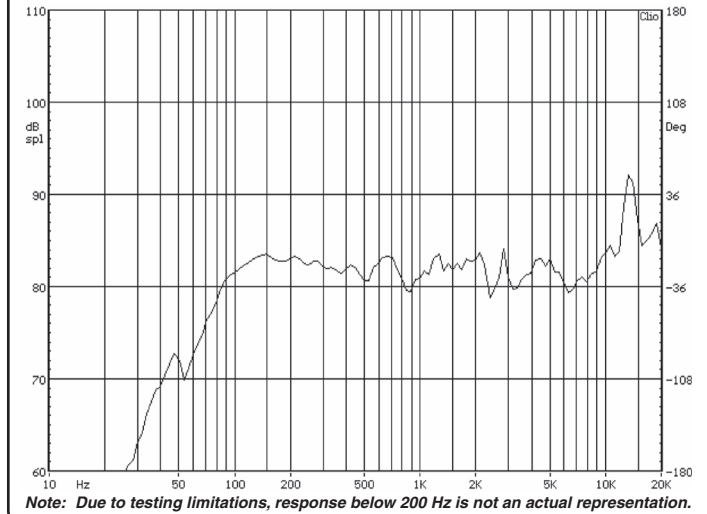
Parameters

Impedance (Ω)	4
Re (Ω)	3.0
Le (mH) @ 1KHz	0.67
Fs (Hz)	80.2
Qms	3.10
Qes	0.57
Qts	0.48
Mms (g)	3.9
Cms (mm/N)	1.00
Sd (cm ²)	37.4
Vd (liters)	15.0
BL (Tm)	3.22
VAS (liters)	2.0
XMAX (mm)	4
VC Diameter (mm)	26
SPL (dB@1W/1m)	84.2
RMS Power Handling (w)	30
Usable Frequency Range (Hz)	80 - 20000



Note: All dimensions in mm.

Frequency Response



Impedance/Phase

